

50010N STRAIGHT MALE ADAPTOR (PARALLEL) WITH EMBED HEXAGON

Материал Brass/PVC/1.0619

Налягане PN 20

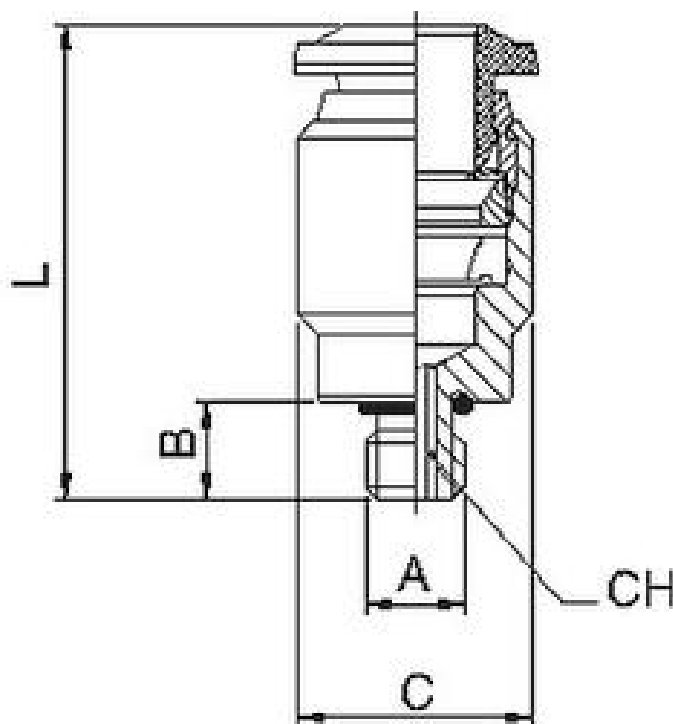
Размер G1/8" - G1/4"

APPLICATIONS

- Pneumatic automation
- Automotive
- Textile, Packaging
- Compressed Air Circuit
- Vacuum

VARIANTS AND ADVANTAGES

- Quick connection and disconnection
- Full Flow and Vacuum resistant tank to special shaped seals
- 3 threads available:
 - BSPP
 - BSPT (universal short)
 - Metric
- Metal Robustness
- Wide Range
- Silicon Free



No.	Parts	Material
1	Body	Nickel-plated brass
2	Rings	Acetalic resin
3	Capsule	Nickel-plated brass Capsule
4	Clamping washer	Steel AISI 301
5	Position ring	Technopolymeric
6	Molded seal	NBR
7	Thread packing	NBR
8	Threaded base	Nickel Plated Brass
9	Seeger	Seeger
10	Seal	NBR

Specifications

Standards Reference:	ROHS 2011/65/CE
	PED 2014/68/UE
	ISO 14743:2004
	Sillicon free

50010N STRAIGHT MALE ADAPTOR (PARALLEL) WITH EMBED HEXAGON

Материал Brass/PVC/1.0619

Налягане PN 20

Размер G1/8" - G1/4"

Specifications	
Size:	1/8"-1/4"

Code	Tube	A	B	C	L	Ch	Bag
50010 00 N08	3	M5	4	8	19	2.5	10
50010 00 N01	4	M5	4	10	21	2.5	10
50010 00 N09	4	M7X1	5	10	21	2.5	10
50010 00 N07	6	M5	4	12	23.5	2.5	10
50010 00 N11	6	M6X1	4.8	12.5	24	2.5	10