

50030 STRAIGHT FEMALE ADAPTOR

Материал Brass/PVC/1.0619

Налягане PN 20

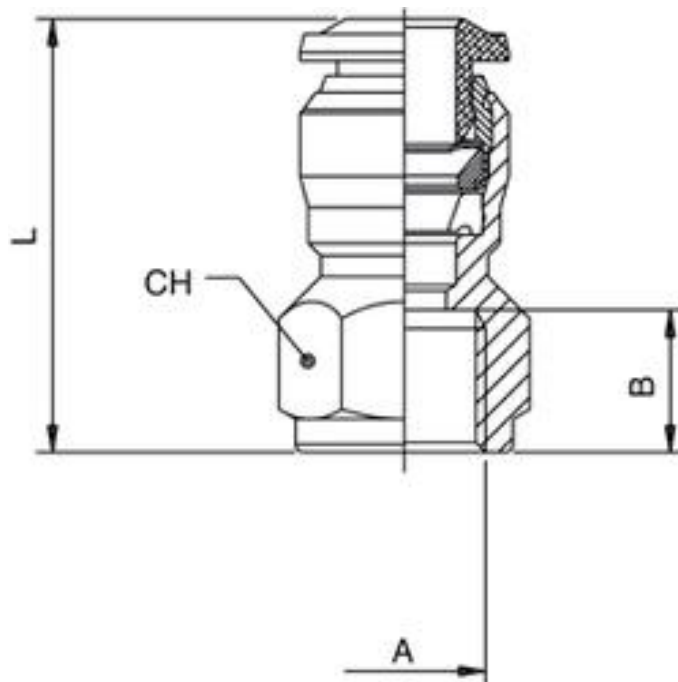
Размер M5-1/2"

APPLICATIONS

- Pneumatic automation
- Automotive
- Textile, Packaging
- Compressed Air Circuit
- Vacuum

VARIANTS AND ADVANTAGES

- Quick connection and disconnection
- Full Flow and Vacuum resistant tank to special shaped seals
- threads available:
 - BSPP
 - BSPT (universal short)
 - Metric
- Metal Robustness
- Wide Range
- Silicon Free



No.	Parts	Material
1	Body	Nickel-plated brass
2	Rings	Acetalic resin
3	Capsule	Nickel-plated brass Capsule
4	Clamping washer	Steel AISI 301
5	Position ring	Technopolymeric
6	Molded seal	NBR
7	Thread packing	NBR
8	Threaded base	Nickel Plated Brass
9	Seeger	Seeger
10	Seal	NBR

Specifications	
Standards Reference:	ROHS 2011/65/CE
	PED 2014/68/UE
	ISO 14743:2004
	Silicon free
Size:	M5 - 1/2"

50030 STRAIGHT FEMALE ADAPTOR

Материал Brass/PVC/1.0619

Налягане PN 20

Размер M5-1/2"

Code	ø tube	A	B	L	Ch	Bag
5003000007	3	M5	5.5	18.5	9	10
5003000008	4	M5	5.5	21	11	10
5003000001	4	1/8	8.5	24	13	10
5003000009	4	1/4	11	27.5	16	10
5003000006	5	1/8	8.5	26.5	13	10
5003000002	6	1/8	8.5	26	13	10
5003000003	6	1/4	11	29.5	16	10
5003000004	8	1/8	8.5	27	15	10
5003000005	8	1/4	11	29.5	17	10
5003000010	8	3/8	12	32	19	10
5003000011	10	1/4	11	32	18	10
5003000012	10	3/8	12	33.5	19	10
5003000013	10	1/2	15	39	24	10
5003000014	12	3/8	12	36	21	10
5003000015	12	1/2	15	41	24	10