

50050 BULKHEAD CONNECTOR

Материал Brass/PVC/1.0619

Налягане PN 20

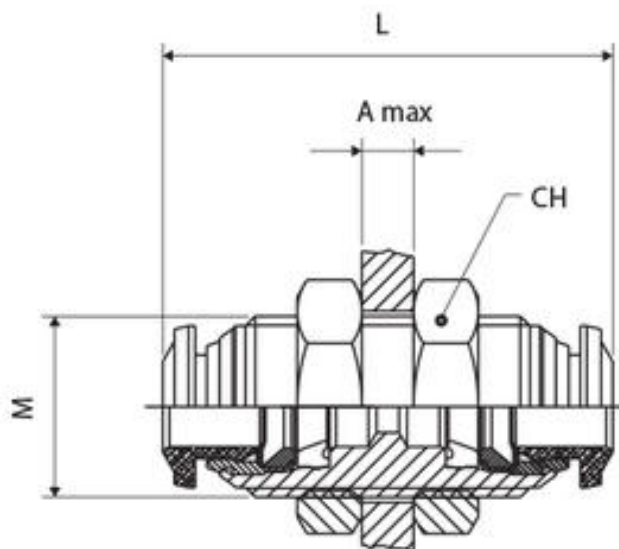
Размер Ø3,0 - Ø14,0 mm

APPLICATIONS

- Pneumatic automation
- Automotive
- Textile, Packaging
- Compressed Air Circuit
- Vacuum

VARIANTS AND ADVANTAGES

- Quick connection and disconnection
- Full Flow and Vacuum resistant tank to special shaped seals
- threads available:
 - BSPP
 - BSPT (universal short)
 - Metric
- Metal Robustness
- Wide Range
- Silicon Free



No.	Parts	Material
1	Body	Nickel-plated brass
2	Rings	Acetalic resin
3	Capsule	Nickel-plated brass Capsule
4	Clamping washer	Steel AISI 301
5	Position ring	Technopolymeric
6	Molded seal	NBR
7	Thread packing	NBR
8	Threaded base	Nickel Plated Brass
9	Seeger	Seeger
10	Seal	NBR

Specifications	
Standards Reference:	ROHS 2011/65/CE
	PED 2014/68/UE
	ISO 14743:2004
	Sillicon free
Size:	Ø3,0 - Ø14,0 mm

50050 BULKHEAD CONNECTOR

Материал Brass/PVC/1.0619

Налягане PN 20

Размер Ø3,0 - Ø14,0 mm

Code	ø tube	M	L	Ch	A max	Bag
5005000007	3	M10X1	26	14	5	10
5005000001	4	M12X1	31.5	17	7	10
5005000006	5	M14X1	33	17	7	10
5005000002	6	M14X1	35	17	9.5	10
5005000003	8	M16X1	37	19	10.5	10
5005000004	10	M20X1	43	24	12.5	10
5005000005	12	M22X1	48	26	16.5	10
5005000008	14	M23X1	49	27	16.5	10