

50100 ELBOW MALE ADAPTOR TAPPED

Материал Brass/PVC/1.0619

Налягане PN 20

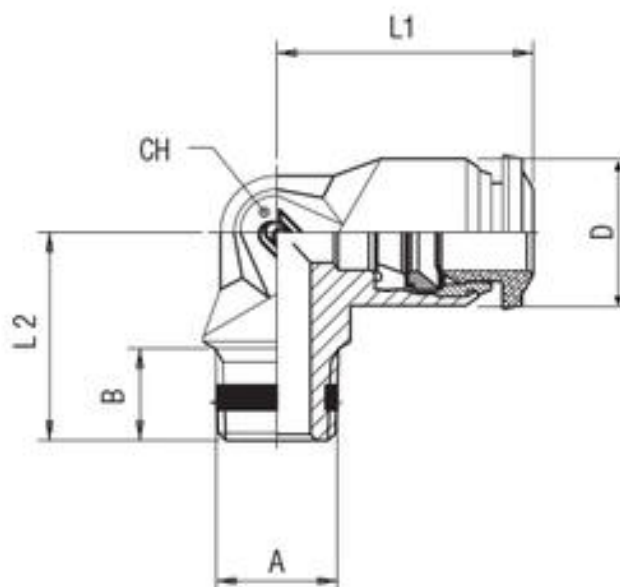
Размер Ø3,0 - Ø12,0 mm

APPLICATIONS

- Pneumatic automation
- Automotive
- Textile, Packaging
- Compressed Air Circuit
- Vacuum

VARIANTS AND ADVANTAGES

- Quick connection and disconnection
- Full Flow and Vacuum resistant tank to special shaped seals
- threads available:
 - BSPP
 - BSPT (universal short)
 - Metric
- Metal Robustness
- Wide Range
- Silicon Free



No.	Parts	Material
1	Body	Nickel-plated brass
2	Rings	Acetalic resin
3	Capsule	Nickel-plated brass Capsule
4	Clamping washer	Steel AISI 301
5	Position ring	Technopolymeric
6	Molded seal	NBR
7	Thread packing	NBR
8	Threaded base	Nickel Plated Brass
9	Seeger	Seeger
10	Seal	NBR

Specifications	
Standards Reference:	ROHS 2011/65/CE
	PED 2014/68/UE
	ISO 14743:2004
	Sillicon free
Size:	Ø 4,0 - Ø 12,0 mm

50100 ELBOW MALE ADAPTOR TAPPED

Материал Brass/PVC/1.0619

Налягане PN 20

Размер Ø3,0 - Ø12,0 mm

Code	? tube	A	B	L1	L2	Ch	D	Bag
5010000001	4	M5	5	17	15	9	10	10
5010000002	4	1/8	7.5	17	15.5	9	10	10
5010000010	5	M5	5	20	17	11	12.5	10
5010000011	5	1/8	7.5	20	17,5	11	12.5	10
5010000003	6	1/8	7.5	21	17,5	11	12.5	10
5010000012	6	1/4	11	21	21,5	11	12.5	10
5010000004	8	1/8	7.5	22.5	19	13	14	10
5010000005	8	1/4	11	22.5	21,5	13	14	10
5010000006	10	1/4	11	26.5	24,5	16	17	10
5010000007	10	3/8	11.5	26.5	24	16	17	10
5010000008	12	1/4	11	30.5	28	19	21.5	10
5010000009	12	3/8	11.5	30.5	28	19	21.5	10