

## 50106 ORIENTING ELBOW FEMALE ADAPTOR

Материал Brass/PVC/1.0619

Налягане PN 20

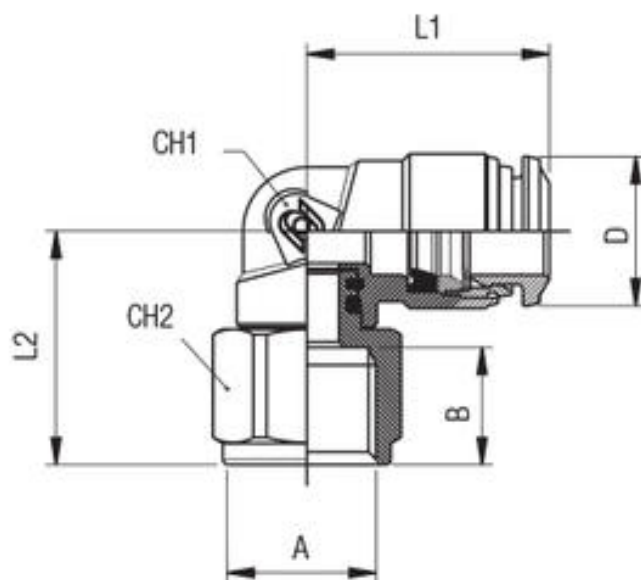
Размер Ø4,0 - Ø8,0 mm

### APPLICATIONS

- Pneumatic automation
- Automotive
- Textile, Packaging
- Compressed Air Circuit
- Vacuum

### VARIANTS AND ADVANTAGES

- Quick connection and disconnection
- Full Flow and Vacuum resistant tank to special shaped seals
- threads available:
  - BSPP
  - BSPT (universal short)
  - Metric
- Metal Robustness
- Wide Range
- Silicon Free



No.	Parts	Material
1	Body	Nickel-plated brass
2	Rings	Acetalic resin
3	Capsule	Nickel-plated brass Capsule
4	Clamping washer	Steel AISI 301
5	Position ring	Technopolymeric
6	Molded seal	NBR
7	Thread packing	NBR
8	Threaded base	Nickel Plated Brass
9	Seeger	Seeger
10	Seal	NBR

Specifications	
Standards Reference:	ROHS 2011/65/CE
	PED 2014/68/UE
	ISO 14743:2004
	Sillicon free
Size:	Ø 4,0 - Ø 8,0 mm

## 50106 ORIENTING ELBOW FEMALE ADAPTOR

Материал Brass/PVC/1.0619

Налягане PN 20

Размер Ø4,0 - Ø8,0 mm

Code	ø tube	A	B	L1	L2	Ch1	Ch2	D	Bag
5010600001	4	1/8	8,5	18	19	9	13	10	10
5010600002	4	1/4	11	18	21,5	9	16	10	10
5010600003	6	1/8	8,5	21	20,5	11	13	12,5	10
5010600004	6	1/4	11	21	23	11	16	12,5	10
5010600005	8	1/8	8,5	22,5	22	12	13	14,5	10
5010600006	8	1/4	11	22,5	24,5	12	16	14,5	10
5010600007	8	3/8	12	22,5	24,5	12	13	14,5	10