

**50111 ORIENTING ELBOW MALE ADAPTOR
UNIVERHИTEЛ
SHORT,Material:,Brass/PVC/1.0619,Pressure:,
PN 20,Size:,Ø4**

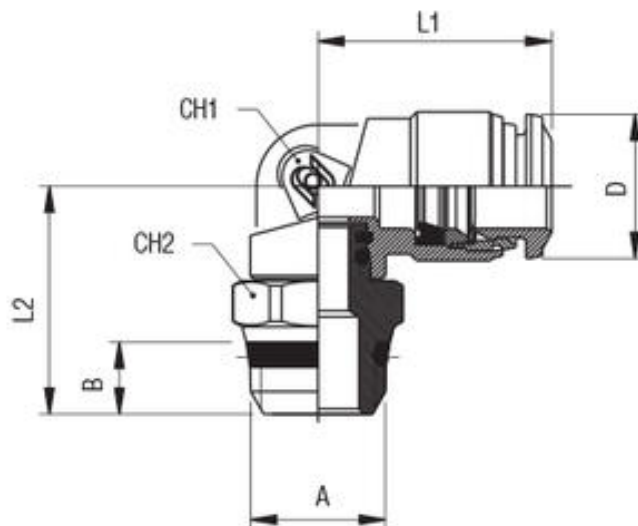
Материал 0 mm"
Налягане pressure::
Размер dimensions::

APPLICATIONS

- Pneumatic automation
- Automotive
- Textile, Packaging
- Compressed Air Circuit
- Vacuum

VARIANTS AND ADVANTAGES

- Quick connection and disconnection
- Full Flow and Vacuum resistant tank to special shaped seals
- threads available:
 - BSPP
 - BSPT (universal short)
 - Metric
- Metal Robustness
- Wide Range
- Silicon Free



No.	Parts	Material
1	Body	Nickel-plated brass
2	Rings	Acetalic resin
3	Capsule	Nickel-plated brass Capsule
4	Clamping washer	Steel AISI 301
5	Position ring	Technopolymeric
6	Molded seal	NBR
7	Thread packing	NBR
8	Threaded base	Nickel Plated Brass
9	Seeger	Seeger
10	Seal	NBR

Specifications	
Standards Reference:	ROHS 2011/65/CE
	PED 2014/68/UE
	ISO 14743:2004
	Sillicon free
Size:	Ø 4,0 - Ø14,0 mm

50111 ORIENTING ELBOW MALE ADAPTOR
 UNIVERHИTEЛ
 SHORT,Material:,Brass/PVC/1.0619,Pressure:,
 PN 20,Size:,Ø4

Материал 0 mm"
 Налягане pressure::
 Размер dimensions::

Code	ø tube	A	B	L1	L2	Ch	Ch2	D	Bag
5011100001	4	1/8	5,5	18	19,5	9	13	10	10
5011100002	4	1/4	7	18	21	9	15	10	10
5011100003	5	1/8	5,5	20	21,5	11	13	12,5	10
5011100004	6	1/8	5,5	21	21,5	11	13	12,5	10
5011100005	6	1/4	7	21	23	11	15	12,5	10
5011100006	8	1/8	5,5	22,5	24	12	13	14,5	10
5011100007	8	1/4	7	22,5	24	12	15	14,5	10
5011100008	8	3/8	7,5	22,5	24,5	12	17	14,5	10
5011100009	8	1/2	9	22,5	27	12	21	14,5	10
5011100010	10	1/4	7	26,5	26,5	14	16	17,5	10
5011100011	10	3/8	7,5	26,5	24,5	14	17	17,5	10
5011100012	10	1/2	9	26,5	27	14	21	17,5	10
5011100013	12	3/8	7,5	31,5	26,5	16	20	21,5	10
5011100014	12	1/2	9	31,5	29	16	21	21,5	10
5011100015	14	3/8	7,5	31,5	27	16	20	21,5	10
5011100016	14	1/2	9	31,5	29,5	16	21	21,5	10