

## 50600 MALE ADAPTOR (PARALLEL)

Материал Brass/PVC/1.0619

Налягане PN 20

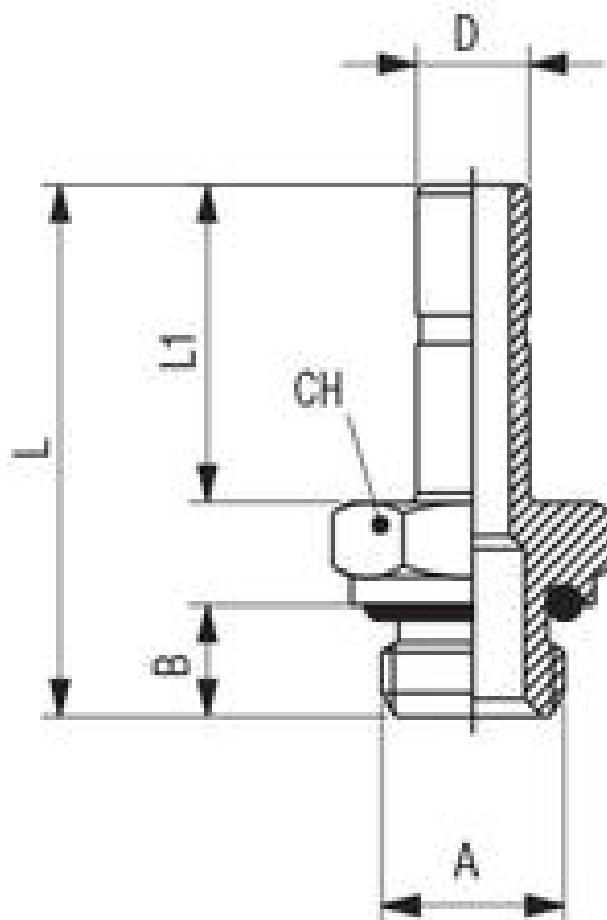
Размер  $\varnothing 4,0 - \varnothing 14,0$  mm

### APPLICATIONS

- Pneumatic automation
- Automotive
- Textile, Packaging
- Compressed Air Circuit
- Vacuum

### VARIANTS AND ADVANTAGES

- Quick connection and disconnection
- Full Flow and Vacuum resistant tank to special shaped seals
- threads available:
  - BSPP
  - BSPT (universal short)
  - Metric
- Metal Robustness
- Wide Range
- Silicon Free



No.	Parts	Material
1	Body	Nickel-plated brass
2	Rings	Acetalic resin

Specifications	
Standards Reference:	ROHS 2011/65/CE
	PED 2014/68/UE
	ISO 14743:2004
	Sillicon free
Size:	$\varnothing 4,0 - \varnothing 14,0$ mm

## 50600 MALE ADAPTOR (PARALLEL)

Материал Brass/PVC/1.0619

Налягане PN 20

Размер ?4,0 - Ø14,0 mm

Code	D	A	B	L	L1	Ch	Bag
5060000001	4	M5	4	24	15	8	10
5060000002	4	1/8	6	26.5	15	13	10
5060000012	5	M5	4	26	17	8	10
5060000013	5	1/8	6	28.5	17	13	10
5060000014	5	1/4	8	31	17	16	10
5060000015	6	M5	4	26	17	8	10
5060000003	6	1/8	6	28.5	17	13	10
5060000004	6	1/4	8	31	17	16	10
5060000005	8	1/8	6	29.5	18	13	10
5060000006	8	1/4	8	32	18	16	10
5060000007	8	3/8	9	33.5	18	20	10
5060000016	10	1/8	6	33.5	22	13	10
5060000008	10	1/4	8	36	22	16	10
5060000009	10	3/8	9	37.5	22	20	10
5060000010	12	1/4	8	38.5	24.5	16	10
5060000011	12	3/8	9	40	24.5	20	10
5060000018	14	1/2	10	44	26.5	24	10