

# 50900 ALUMINIUM MANIFOLD 5 PORTS

Материал Brass/PVC/1.0619

Налягане PN 20

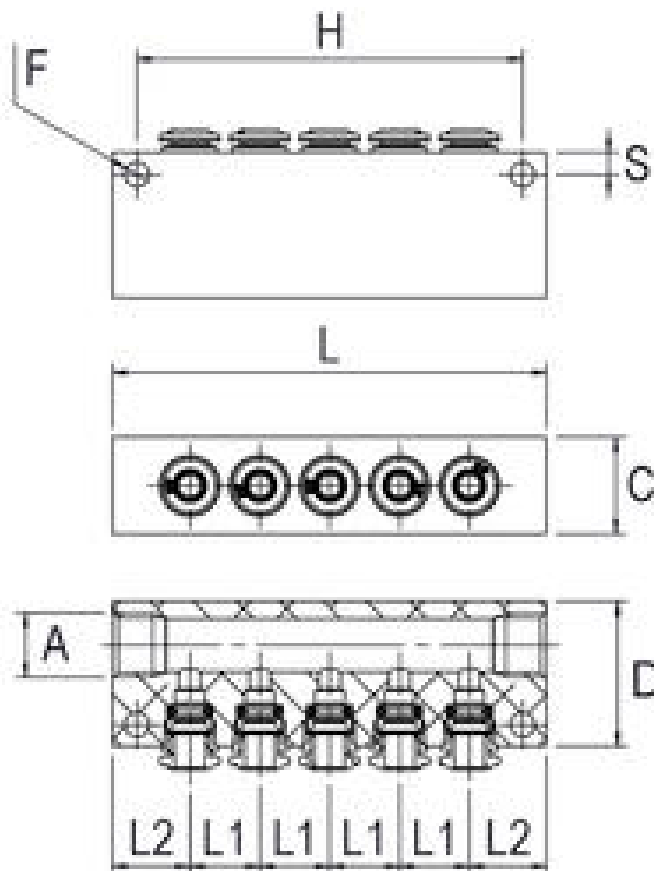
Размер Ø4,0 - Ø8,0 mm

### APPLICATIONS

- Pneumatic automation
- Automotive
- Textile, Packaging
- Compressed Air Circuit
- Vacuum

### VARIANTS AND ADVANTAGES

- Quick connection and disconnection
- Full Flow and Vacuum resistant tank to special shaped seals
- threads available:
  - BSPP
  - BSPT (universal short)
  - Metric
- Metal Robustness
- Wide Range
- Silicon Free



No.	Parts	Material
1	Body	Nickel-plated brass
2	Rings	Acetalic resin
3	Capsule	Nickel-plated brass Capsule
4	Clamping washer	Steel AISI 301
5	Position ring	Technopolymeric
6	Molded seal	NBR
7	Thread packing	NBR
8	Threaded base	Nickel Plated Brass
9	Seeger	Seeger
10	Seal	NBR

Specifications	
Standards Reference:	ROHS 2011/65/CE

## 50900 ALUMINIUM MANIFOLD 5 PORTS

Материал Brass/PVC/1.0619

Налягане PN 20

Размер Ø4,0 - Ø8,0 mm

Specifications	
	PED 2014/68/UE
	ISO 14743:2004
	Sillicon free
Size:	Ø4,0-Ø8,0 mm

Code	Ø tube	A	C	D	L	L1	L2	Bag
5090000001	4	1/8	15	25	75	12	13.5	5
5090000002	6	1/8	15	25	90	14.5	16	5
5090000003	6	1/4	20	30	90	14.5	16	5
5090000004	8	1/4	20	30	100	16	18	5