

50900N MANIFOLD ALUMINIUM 5 PORTS

Материал Brass/PVC/1.0619

Налягане PN 20

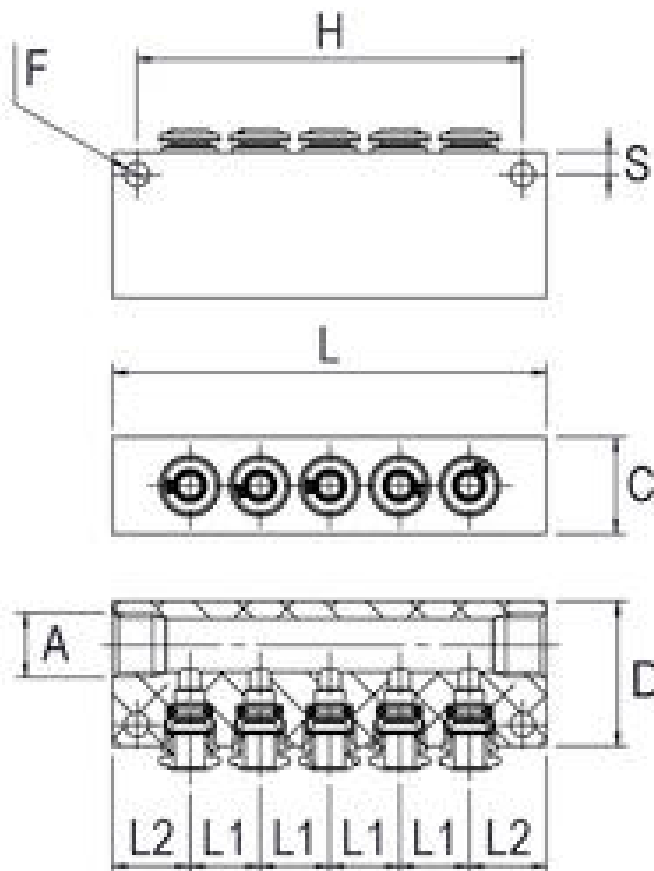
Размер Ø4,0 - Ø8,0 mm

APPLICATIONS

- Pneumatic automation
- Automotive
- Textile, Packaging
- Compressed Air Circuit
- Vacuum

VARIANTS AND ADVANTAGES

- Quick connection and disconnection
- Full Flow and Vacuum resistant tank to special shaped seals
- 3 threads available:
 - BSPP
 - BSPT (universal short)
 - Metric
- Metal Robustness
- Wide Range
- Silicon Free



| No. | Parts | Material |
|-----|-----------------|-----------------------------|
| 1 | Body | Nickel-plated brass |
| 2 | Rings | Acetalic resin |
| 3 | Capsule | Nickel-plated brass Capsule |
| 4 | Clamping washer | Steel AISI 301 |
| 5 | Position ring | Technopolymeric |
| 6 | Molded seal | NBR |
| 7 | Thread packing | NBR |
| 8 | Threaded base | Nickel Plated Brass |
| 9 | Seeger | Seeger |
| 10 | Seal | NBR |

Specifications

Standards Reference: ROHS 2011/65/CE

50900N MANIFOLD ALUMINIUM 5 PORTS

Материал Brass/PVC/1.0619

Налягане PN 20

Размер Ø4,0 - Ø8,0 mm

| Specifications | |
|----------------|----------------|
| | PED 2014/68/UE |
| | ISO 14743:2004 |
| | Sillicon free |
| Tube diameter: | 4,0 - 8,0 mm |

| Code | Tube | A | C | D | L | L1 | L2 | Bag |
|--------------|------|-----|----|----|-----|------|------|-----|
| 50900 00 N01 | 4 | 1/8 | 15 | 25 | 75 | 12 | 13.5 | 5 |
| 50900 00 N02 | 6 | 1/8 | 15 | 25 | 90 | 14.5 | 16 | 5 |
| 50900 00 N03 | 6 | 1/4 | 20 | 30 | 90 | 14.5 | 16 | 5 |
| 50900 00 N04 | 8 | 1/4 | 20 | 30 | 100 | 16 | 18 | 5 |