

55116 ORIENTING ELBOW MALE(PARALLEL)

Материал Brass/PVC/1.0619

Налягане PN 20

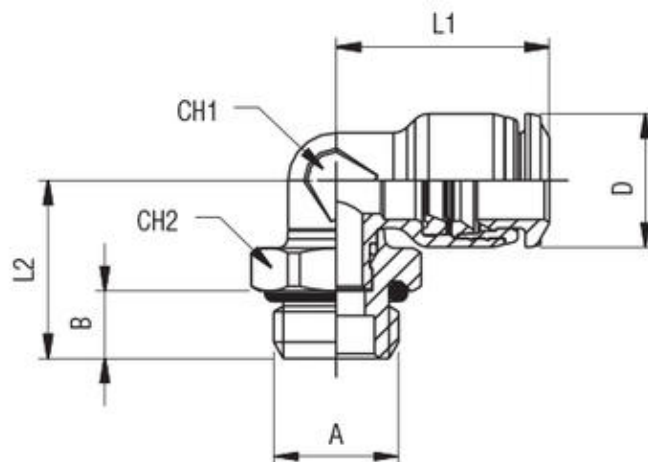
Размер Ø4,0 - Ø14,0 mm

APPLICATIONS

- Pneumatic automation
- Automotive
- Textile, Packaging
- Compressed Air Circuit
- Vacuum

VARIANTS AND ADVANTAGES

- Quick connection and disconnection
- Full Flow and Vacuum resistant tank to special shaped seals
- 3 threads available:
 - BSPP
 - BSPT (universal short)
 - Metric
- Metal Robustness
- Wide Range
- Silicon Free



No.	Parts	Material
1	Body	Nickel-plated brass
2	Rings	Acetalic resin
3	Capsule	Nickel-plated brass Capsule
4	Clamping washer	Steel AISI 301
5	Position ring	Technopolymeric
6	Molded seal	NBR
7	Thread packing	NBR
8	Threaded base	Nickel Plated Brass
9	Seeger	Seeger
10	Seal	NBR

Specifications	
Standards Reference:	ROHS 2011/65/CE
	PED 2014/68/UE
	ISO 14743:2004
	Sillicon free
Tube diameter:	4,0 - 14,0 mm

Code	Tube	A	B	L1	L2	Ch1	Ch2	D	Bag
------	------	---	---	----	----	-----	-----	---	-----

55116 ORIENTING ELBOW MALE(PARALLEL)

Материал Brass/PVC/1.0619

Налягане PN 20

Размер Ø4,0 - Ø14,0 mm

Code	Tube	A	B	L1	L2	Ch1	Ch2	D	Bag
5511600001	4	M3X0,5	3	16.5	12	7	9	10	10
5511600002	4	M5	3.6	16.5	13.8	7	9	10	10
5511600003	4	M7X1	4.8	16.5	14.4	7	9	10	10
5511600004	4	1/8	5.4	16.5	15	7	13	10	10
5511600005	4	1/4	7.1	16.5	16.6	9	16	10	10
5511600007	5	M5	3.6	20	14.7	9	9	12	10
5511600009	5	1/8	5.4	20	15.8	9	13	12	10
5511600011	6	M5	3.6	20.5	14.7	9	9	12	10
5511600013	6	1/8	5.4	20.5	15.8	9	13	12	10
5511600014	6	1/4	7.1	20,5	17.5	9	16	12	10
5511600015	6	3/8	8.1	20,5	19	9	20	12	10
5511600016	6	1/2	9.6	20,5	21	9	25	12	10
5511600017	8	1/8	5.4	22	19.4	10	13	14	10
5511600018	8	1/4	7.1	22	18.7	10	16	14	10
5511600019	8	3/8	8.1	22	20.1	10	20	14	10
5511600020	8	1/2	9.6	22	22.1	10	25	14	10
5511600021	10	1/4	7.1	26,5	22.8	13	16	17	10
5511600022	10	3/8	8.1	26,5	22.3	13	20	17	10
5511600023	10	1/2	9.6	26,5	23.8	13	25	17	10
5511600024	12	1/4	7.1	30	24.1	16	16	20	10
5511600025	12	3/8	8.1	30	23.6	16	20	20	10
5511600026	12	1/2	9.6	30	25.1	16	25	20	10
5511600027	14	3/8	8.1	31	28.1	18	20	21	10
5511600028	14	1/2	9.6	31	26.1	18	25	21	10