

55126 EXTENDED ORIENT. ELBOW M (PARALLEL)

Материал Brass/PVC/1.0619

Налягане PN 20

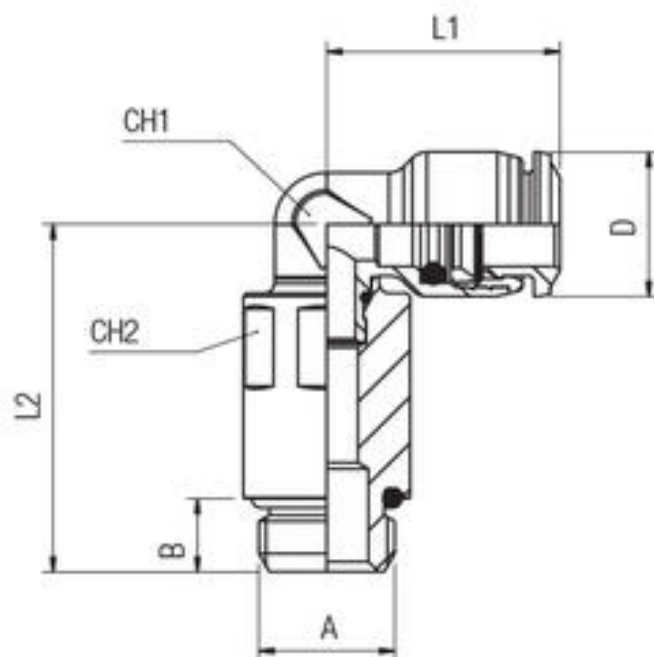
Размер Ø4,0 - Ø12,0 mm

APPLICATIONS

- Pneumatic automation
- Automotive
- Textile, Packaging
- Compressed Air Circuit
- Vacuum

VARIANTS AND ADVANTAGES

- Quick connection and disconnection
- Full Flow and Vacuum resistant tank to special shaped seals
- 3 threads available:
 - BSPP
 - BSPT (universal short)
 - Metric
- Metal Robustness
- Wide Range
- Silicon Free



No.	Parts	Material
1	Body	Nickel-plated brass
2	Rings	Acetalic resin
3	Capsule	Nickel-plated brass Capsule
4	Clamping washer	Steel AISI 301
5	Position ring	Technopolymeric
6	Molded seal	NBR
7	Thread packing	NBR
8	Threaded base	Nickel Plated Brass
9	Seeger	Seeger
10	Seal	NBR

Specifications	
Standards Reference:	ROHS 2011/65/CE
	PED 2014/68/UE
	ISO 14743:2004
	Sillicon free
Tube diameter:	4,0 - 12,0 mm

55126 EXTENDED ORIENT. ELBOW M (PARALLEL)

Материал Brass/PVC/1.0619

Налягане PN 20

Размер Ø4,0 - Ø12,0 mm

Code	Tube	A	B	L1	L2	Ch1	Ch2	D	Bag
5512600002	4	M5	3.6	16.5	27.5	7	8	10	10
5512600004	4	1/8	5.4	16.5	28.5	7	12	10	10
5512600008	6	M5	3.6	20.5	29.5	9	8	12.5	10
5512600009	6	1/8	5.4	20.5	29.5	9	12	12.5	10
5512600013	8	1/8	5.4	22.5	34.5	10	12	14	10
5512600014	8	1/4	7.1	22.5	33.5	10	15	14	10
5512600015	8	3/8	8.1	22.5	34.5	10	12	14	10
5512600016	10	1/4	7.1	26.5	43	13	15	17	10
5512600017	10	3/8	8.1	26.5	43	13	15	17	10
5512600018	10	1/2	9.6	26.5	45	13	15	17	10
5512600019	12	1/4	7.1	31	45	16	15	20	10
5512600020	12	3/8	8.1	30.5	44.5	16	15	20	10
5512600021	12	1/2	9.6	31	46	16	15	20	10