

## 55130 ELBOW CONNECTOR

Материал Brass/PVC/1.0619

Налягане PN 20

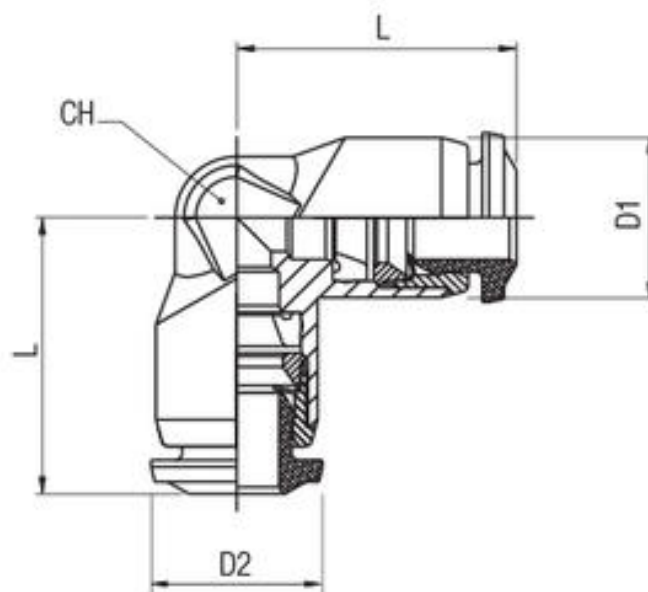
Размер Ø4,0 - Ø14,0 mm

### APPLICATIONS

- Pneumatic automation
- Automotive
- Textile, Packaging
- Compressed Air Circuit
- Vacuum

### VARIANTS AND ADVANTAGES

- Quick connection and disconnection
- Full Flow and Vacuum resistant tank to special shaped seals
- 3 threads available:
  - BSPP
  - BSPT (universal short)
  - Metric
- Metal Robustness
- Wide Range
- Silicon Free



No.	Parts	Material
1	Body	Nickel-plated brass
2	Rings	Acetalic resin
3	Capsule	Nickel-plated brass Capsule
4	Clamping washer	Steel AISI 301
5	Position ring	Technopolymeric
6	Molded seal	NBR
7	Thread packing	NBR
8	Threaded base	Nickel Plated Brass
9	Seeger	Seeger
10	Seal	NBR

Specifications	
Standards Reference:	ROHS 2011/65/CE
	PED 2014/68/UE
	ISO 14743:2004
	Sillicon free
Tube diameter:	4,0 - 14,0 mm

## 55130 ELBOW CONNECTOR

Материал Brass/PVC/1.0619

Налягане PN 20

Размер Ø4,0 - Ø14,0 mm

Code	D1	D2	L	D	Ch	Bag
5513000002	4	4	16.5	10	9	10
5513000003	5	5	20	12	11	10
5513000004	6	6	20.5	12	11	10
5513000009	8	6	22.5	14	13	10
5513000005	8	8	22	14	13	10
5513000012	10	6	26	17	16	10
5513000010	10	8	26	17	16	10
5513000006	10	10	26.5	17	16	10
5513000011	12	10	30.5	20	19	10
5513000007	12	12	30	20	19	10
5513000008	14	14	30.5	21	20	10