

## 55180 ELBOW CONNECTOR 45°

Материал Brass/PVC/1.0619

Налягане PN 20

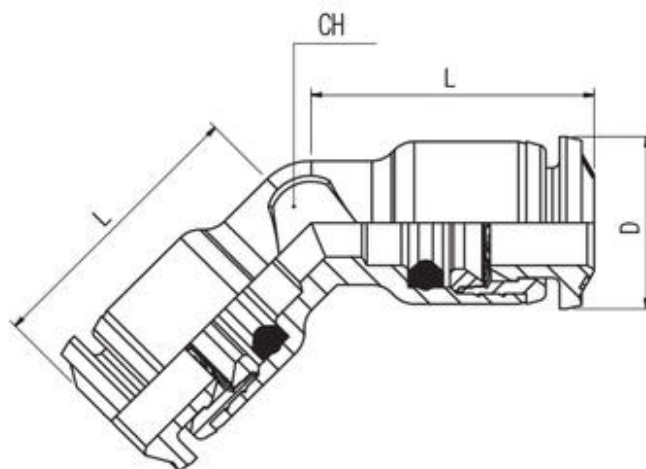
Размер Ø4,0 - Ø12,0 mm

### APPLICATIONS

- Pneumatic automation
- Automotive
- Textile, Packaging
- Compressed Air Circuit
- Vacuum

### VARIANTS AND ADVANTAGES

- Quick connection and disconnection
- Full Flow and Vacuum resistant tank to special shaped seals
- 3 threads available:
  - BSPP
  - BSPT (universal short)
  - Metric
- Metal Robustness
- Wide Range
- Silicon Free



No.	Parts	Material
1	Body	Nickel-plated brass
2	Rings	Acetalic resin
3	Capsule	Nickel-plated brass Capsule
4	Clamping washer	Steel AISI 301
5	Position ring	Technopolymeric
6	Molded seal	NBR
7	Thread packing	NBR
8	Threaded base	Nickel Plated Brass
9	Seeger	Seeger
10	Seal	NBR

Specifications	
Standards Reference:	ROHS 2011/65/CE
	PED 2014/68/UE
	ISO 14743:2004
	Sillicon free
Tube diameter:	4,0 - 12,0 mm

Code	Tube	L	Ch	D	Bag
------	------	---	----	---	-----

## 55180 ELBOW CONNECTOR 45°

Материал Brass/PVC/1.0619

Налягане PN 20

Размер Ø4,0 - Ø12,0 mm

Code	Tube	L	Ch	D	Bag
551800002	4	16.5	7	10	10
551800004	6	20.5	9	12	10
551800005	8	22	10	14	10
551800006	10	26.5	13	17	10
551800007	12	30	16	20	10