

55216 PARALEL CONNECTOR (CENTRE-LEG)

Материал Brass/PVC/1.0619

Налягане PN 20

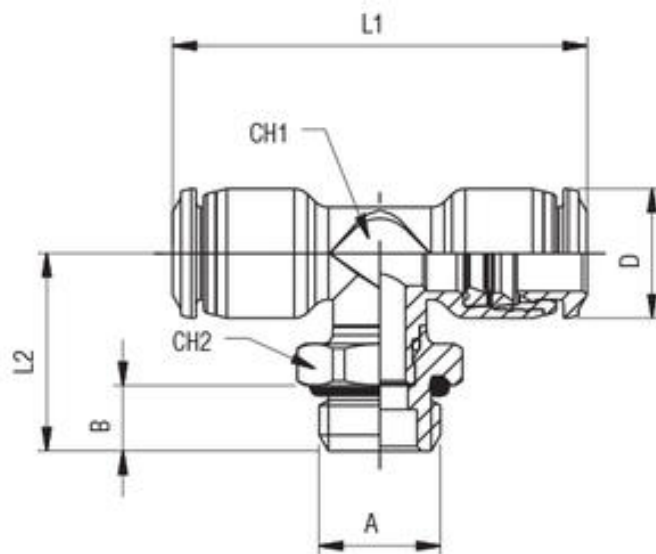
Размер Ø4,0 - Ø14,0 mm

APPLICATIONS

- Pneumatic automation
- Automotive
- Textile, Packaging
- Compressed Air Circuit
- Vacuum

VARIANTS AND ADVANTAGES

- Quick connection and disconnection
- Full Flow and Vacuum resistant tank to special shaped seals
- 3 threads available:
 - BSPP
 - BSPT (universal short)
 - Metric
- Metal Robustness
- Wide Range
- Silicon Free



No.	Parts	Material
1	Body	Nickel-plated brass
2	Rings	Acetalic resin
3	Capsule	Nickel-plated brass Capsule
4	Clamping washer	Steel AISI 301
5	Position ring	Technopolymeric
6	Molded seal	NBR
7	Thread packing	NBR
8	Threaded base	Nickel Plated Brass
9	Seeger	Seeger
10	Seal	NBR

Specifications	
Standards Reference:	ROHS 2011/65/CE
	PED 2014/68/UE
	ISO 14743:2004
	Sillicon free
Tube diameter:	4,0 - 14,0 mm

Code	Tube	A	B	L1	L2	Ch1	Ch2	D	Bag
------	------	---	---	----	----	-----	-----	---	-----

55216 PARALEL CONNECTOR (CENTRE-LEG)

Материал Brass/PVC/1.0619

Налягане PN 20

Размер Ø4,0 - Ø14,0 mm

Code	Tube	A	B	L1	L2	Ch1	Ch2	D	Bag
5521600002	4	M5	3.6	33	15.5	7	9	10	10
5521600004	4	1/8	5.4	33	17,1	7	13	10	10
5521600005	4	1/4	7.1	33	18,8	7	16	10	10
5521600007	5	M5	3.6	40	14,7	9	9	12	10
5521600009	5	1/8	5.4	40	18,4	9	13	12	10
5521600011	6	M5	3.6	41	14,7	9	9	12.5	10
5521600013	6	1/8	5.4	41	18,4	9	13	12.5	10
5521600014	6	1/4	7.1	41	20	9	16	12.5	10
5521600017	8	1/8	5.4	44	22,1	10	13	14	10
5521600018	8	1/4	7.1	44	21,4	10	16	14	10
5521600019	8	3/8	8.1	44	22,8	10	20	14	10
5521600021	10	1/4	7.1	53	26,7	13	16	17	10
5521600022	10	3/8	8.1	53	26,2	13	20	17	10
5521600023	10	1/2	9.6	53	27,7	13	25	17	10
5521600024	12	1/4	7.1	61.5	28,1	16	16	20	10
5521600025	12	3/8	8.1	61.5	27,6	16	20	20	10
5521600026	12	1/2	9.6	61.5	29,1	16	25	20	10
5521600027	14	3/8	8.1	61	31,8	18	20	21	10
5521600028	14	1/2	9.6	61	29,8	18	25	21	10