

## 55223 OR-UNIVERSAL-SHORT-OFF-SET-LEG- (OFF-SET-LEG)

Материал Brass/PVC/1.0619

Налягане PN 20

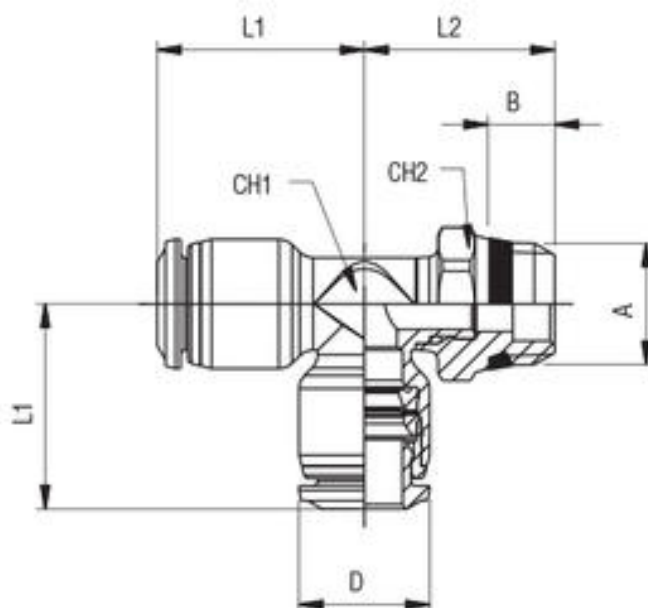
Размер Ø4,0 - Ø14,0 mm

### APPLICATIONS

- Pneumatic automation
- Automotive
- Textile, Packaging
- Compressed Air Circuit
- Vacuum

### VARIANTS AND ADVANTAGES

- Quick connection and disconnection
- Full Flow and Vacuum resistant tank to special shaped seals
- 3 threads available:
  - BSPP
  - BSPT (universal short)
  - Metric
- Metal Robustness
- Wide Range
- Silicon Free



No.	Parts	Material
1	Body	Nickel-plated brass
2	Rings	Acetalic resin
3	Capsule	Nickel-plated brass Capsule
4	Clamping washer	Steel AISI 301
5	Position ring	Technopolymeric
6	Molded seal	NBR
7	Thread packing	NBR
8	Threaded base	Nickel Plated Brass
9	Seeger	Seeger
10	Seal	NBR

Specifications	
Standards Reference:	ROHS 2011/65/CE
	PED 2014/68/UE
	ISO 14743:2004
	Sillicon free
Tube diameter:	4,0 - 14,0 mm

## 55223 OR-UNIVERSAL-SHORT-OFF-SET-LEG- (OFF-SET-LEG)

Материал Brass/PVC/1.0619

Налягане PN 20

Размер Ø4,0 - Ø14,0 mm

Code	Tube	A	B	L1	L2	Ch1	Ch2	D	Bag
5522300001	4	1/8	5.5	16.5	18.2	7	13	10	10
5522300002	4	1/4	7	16.5	19,7	7	15	10	10
5522300003	5	1/8	5.5	20	17,4	9	13	12	10
5522300004	6	1/8	5.5	20.5	17,4	9	13	12.5	10
5522300005	6	1/4	7	20.5	18,9	9	15	12.5	10
5522300008	8	1/8	5.5	22	18,9	10	13	14	10
5522300009	8	1/4	7	22	20,4	10	15	14	10
5522300010	8	3/8	7.5	22	20,9	10	17	14	10
5522300012	10	1/4	7	26.5	21,8	13	16	17	10
5522300013	10	3/8	7.5	26,5	21,8	13	17	17	10
5522300014	10	1/2	9	26,5	24,3	13	21	17	10
5522300015	12	1/4	7	31	23,1	16	16	20	10
5522300016	12	3/8	7.5	31	23,1	16	17	20	10
5522300017	12	1/2	9	31	25,6	16	21	20	10
5522300018	14	3/8	7.5	30,5	26,5	18	20	21	10
5522300019	14	1/2	9	30,5	27	18	21	21	10