

55226 E-ADAPTOR-PARALLEL-OFF-SET-LEG

Материал Brass/PVC/1.0619

Налягане PN 20

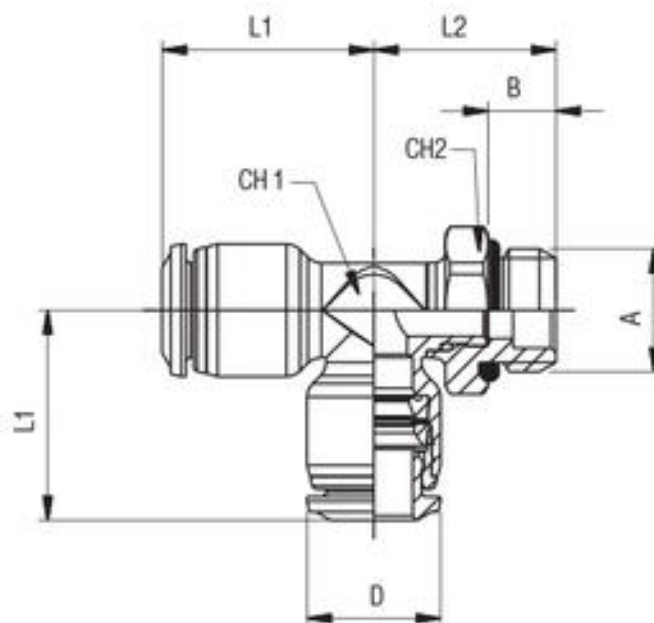
Размер Ø4,0 - Ø14,0 mm

APPLICATIONS

- Pneumatic automation
- Automotive
- Textile, Packaging
- Compressed Air Circuit
- Vacuum

VARIANTS AND ADVANTAGES

- Quick connection and disconnection
- Full Flow and Vacuum resistant tank to special shaped seals
- 3 threads available:
 - BSPP
 - BSPT (universal short)
 - Metric
- Metal Robustness
- Wide Range
- Silicon Free



No.	Parts	Material
1	Body	Nickel-plated brass
2	Rings	Acetalic resin
3	Capsule	Nickel-plated brass Capsule
4	Clamping washer	Steel AISI 301
5	Position ring	Technopolymeric
6	Molded seal	NBR
7	Thread packing	NBR
8	Threaded base	Nickel Plated Brass
9	Seeger	Seeger
10	Seal	NBR

Specifications	
Standards Reference:	ROHS 2011/65/CE
	PED 2014/68/UE
	ISO 14743:2004
	Sillicon free
Tube diameter:	4,0 - 14,0 mm

55226 E-ADAPTOR-PARALLEL-OFF-SET-LEG

Материал Brass/PVC/1.0619

Налягане PN 20

Размер Ø4,0 - Ø14,0 mm

Code	Tube	A	B	L1	L2	Ch1	Ch2	D	Bag
5522600002	4	M5	3,6	16,5	15,5	7	9	10	10
5522600004	4	1/8	5,4	16,5	16,6	7	13	10	10
5522600005	4	1/4	7,1	16,5	18,3	7	16	10	10
5522600007	5	M5	3,6	20	14,7	9	9	12	10
5522600009	5	1/8	5,4	20	15,8	9	13	12	10
5522600011	6	M5	3,6	20,5	14,7	9	9	12,5	10
5522600013	6	1/8	5,4	20,5	15,8	9	13	12,5	10
5522600014	6	1/4	7,1	20,5	17,5	9	16	12,5	10
5522600017	8	1/8	5,4	22	19,8	10	13	14	10
5522600018	8	1/4	7,1	22	19,1	10	16	14	10
5522600019	8	3/8	8,1	22	20,5	10	20	14	10
5522600021	10	1/4	7,1	26,5	22,8	13	16	17	10
5522600022	10	3/8	8,1	26,5	22,3	13	20	17	10
5522600023	10	1/2	9,6	26,5	23,8	13	25	17	10
5522600024	12	1/4	7,1	31	24,1	16	16	20	10
5522600025	12	3/8	8,1	31	23,6	16	20	20	10
5522600026	12	1/2	9,6	31	25,1	16	25	20	10
5522600027	14	3/8	8,1	30,5	28,1	18	20	21	10
5522600028	14	1/2	9,6	30,5	26,1	18	25	21	10