

55325 CONNECTOR "Y" ORIENTING MALE (PARALLEL)

Материал Brass/PVC/1.0619

Налягане PN 20

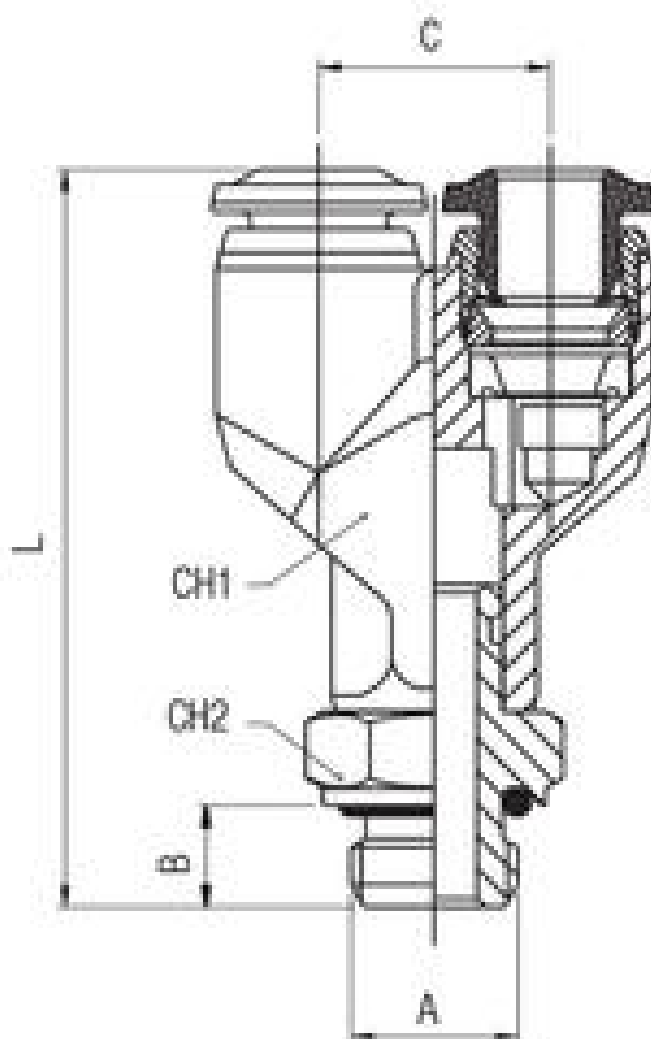
Размер Ø4,0 - Ø12,0 mm

APPLICATIONS

- Pneumatic automation
- Automotive
- Textile, Packaging
- Compressed Air Circuit
- Vacuum

VARIANTS AND ADVANTAGES

- Quick connection and disconnection
- Full Flow and Vacuum resistant tank to special shaped seals
- 3 threads available:
 - BSPP
 - BSPT (universal short)
 - Metric
- Metal Robustness
- Wide Range
- Silicon Free



No.	Parts	Material
1	Body	Nickel-plated brass
2	Rings	Acetalic resin
3	Capsule	Nickel-plated brass Capsule
4	Clamping washer	Steel AISI 301
5	Position ring	Technopolymeric
6	Molded seal	NBR
7	Thread packing	NBR
8	Threaded base	Nickel Plated Brass
9	Seeger	Seeger
10	Seal	NBR

55325 CONNECTOR "Y" ORIENTING MALE (PARALLEL)

Материал Brass/PVC/1.0619

Налягане PN 20

Размер Ø4,0 - Ø12,0 mm

Specifications	
Standards Reference:	ROHS 2011/65/CE
	PED 2014/68/UE
	ISO 14743:2004
	Sillicon free
Tube diameter:	4,0 - 12,0 mm

Code	Tube	A	B	C	L	Ch1	Ch2	Bag
5532500002	4	M5	4	11	36,5	10	10	10
5532500003	4	1/8	6	11	38,5	10	13	10
5532500009	4	1/4	8	11	40,5	10	16	10
5532500004	6	M5	4	13,5	41,5	12	10	10
5532500005	6	1/8	6	13,5	43,5	12	13	10
5532500006	6	1/4	8	13,5	46,5	12	16	10
5532500007	8	1/8	6	15,5	47	14	13	10
5532500008	8	1/4	8	15,5	50	14	16	10
5532500010	8	3/8	9	15,5	52	14	20	10
5532500011	10	1/4	8	19	59,5	17	16	10
5532500012	10	3/8	9	19	59,5	17	20	10
5532500013	10	1/2	10	19	62	17	24	10
5532500014	12	3/8	9	22	68,5	20	20	10
5532500015	12	1/2	10	22	71	20	24	10