

55340 CONNECTOR "Y" ORIENTING MALE (UNIVERSAL SHORT)

Материал Brass/PVC/1.0619

Налягане PN 20

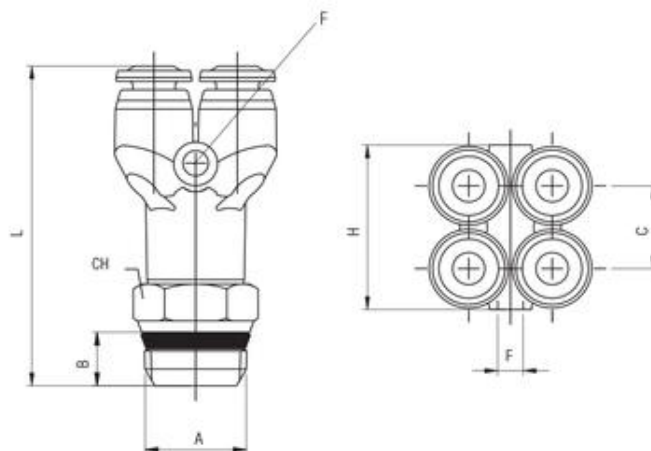
Размер Ø4,0 - Ø6,0 mm

APPLICATIONS

- Pneumatic automation
- Automotive
- Textile, Packaging
- Compressed Air Circuit
- Vacuum

VARIANTS AND ADVANTAGES

- Quick connection and disconnection
- Full Flow and Vacuum resistant tank to special shaped seals
- 3 threads available:
 - BSPP
 - BSPT (universal short)
 - Metric
- Metal Robustness
- Wide Range
- Silicon Free



No.	Parts	Material
1	Body	Nickel-plated brass
2	Rings	Acetalic resin
3	Capsule	Nickel-plated brass Capsule
4	Clamping washer	Steel AISI 301
5	Position ring	Technopolymeric
6	Molded seal	NBR
7	Thread packing	NBR
8	Threaded base	Nickel Plated Brass
9	Seeger	Seeger
10	Seal	NBR

Specifications	
Standards Reference:	ROHS 2011/65/CE
	PED 2014/68/UE
	ISO 14743:2004
	Sillicon free
Tube diameter:	4,0 - 6,0 mm

Code	Tube	A	B	C	L	H	Ch	F	Bag
------	------	---	---	---	---	---	----	---	-----

55340 CONNECTOR "Y" ORIENTING MALE (UNIVERSAL SHORT)

Материал Brass/PVC/1.0619

Налягане PN 20

Размер Ø4,0 - Ø6,0 mm

Code	Tube	A	B	C	L	H	Ch	F	Bag
5534000001	4	1/8	5.5	11	39.5	21.5	11	3.3	10
5534000002	4	1/4	7	11	42	21.5	14	3.3	10
5534000003	6	1/8	5.5	13.5	46.5	26.8	11	3.3	10
5534000004	6	1/4	7	13.5	48	26.8	14	3.3	10