

55360 REDUCING MANIFOLD ORIENTING MALE (UNIVERSAL SHORT)

Материал Brass/PVC/1.0619

Налягане PN 20

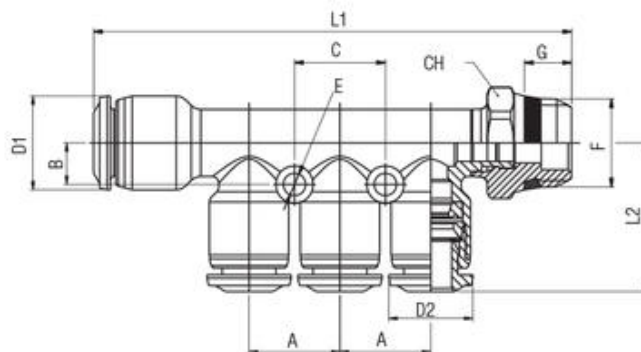
Размер Ø6,0 - Ø10,0 mm

APPLICATIONS

- Pneumatic automation
- Automotive
- Textile, Packaging
- Compressed Air Circuit
- Vacuum

VARIANTS AND ADVANTAGES

- Quick connection and disconnection
- Full Flow and Vacuum resistant tank to special shaped seals
- 3 threads available:
 - BSPP
 - BSPT (universal short)
 - Metric
- Metal Robustness
- Wide Range
- Silicon Free



No.	Parts	Material
1	Body	Nickel-plated brass
2	Rings	Acetalic resin
3	Capsule	Nickel-plated brass Capsule
4	Clamping washer	Steel AISI 301
5	Position ring	Technopolymeric
6	Molded seal	NBR
7	Thread packing	NBR
8	Threaded base	Nickel Plated Brass
9	Seeger	Seeger
10	Seal	NBR

Specifications	
Standards Reference:	ROHS 2011/65/CE
	PED 2014/68/UE
	ISO 14743:2004
	Sillicon free
Tube diameter:	6,0 - 10,0 mm

Code	Tube	Tube2	F	A	B	L1	L2	C	D1	D2	E	G	Ch	Bag
------	------	-------	---	---	---	----	----	---	----	----	---	---	----	-----

55360 REDUCING MANIFOLD ORIENTING MALE (UNIVERSAL SHORT)

Материал Brass/PVC/1.0619

Налягане PN 20

Размер Ø6,0 - Ø10,0 mm

Code	Tube	Tube2	F	A	B	L1	L2	C	D1	D2	E	G	Ch	Bag
5536000001	6	4	1/8	13.5	6	70	22	13.5	14	12	3.3	5,5	13	10
5536000002	6	4	1/4	13.5	6	71,4	22	13.5	14	12	3.3	7	15	10
5536000003	8	4	1/8	13.5	6	70	22	13.5	14	12	3.3	5,5	13	10
5536000004	8	4	1/4	13.5	6	71,4	22	13.5	14	12	3.3	7	15	10
5536000005	8	6	1/8	13.5	6	70	22	13.5	14	12.5	3.3	5,5	13	10
5536000006	8	6	1/4	13.5	6	71,4	22	13.5	14	12.5	3.3	7	15	10
5536000007	10	6	1/4	15	7	81,5	24	15	17	14	3.3	7	16	10
5536000008	10	6	3/8	15	7	81,5	24	15	17	14	3.3	7.5	17	10
5536000009	10	8	1/4	15	7	81.5	23	15	17	14	3.3	7	16	10
5536000010	10	8	3/8	15	7	81,5	23	15	17	14	3.3	7,5	17	10