

55800 PUSH FIT CARTRIDGES

Материал Brass/PVC/1.0619

Налягане PN 20

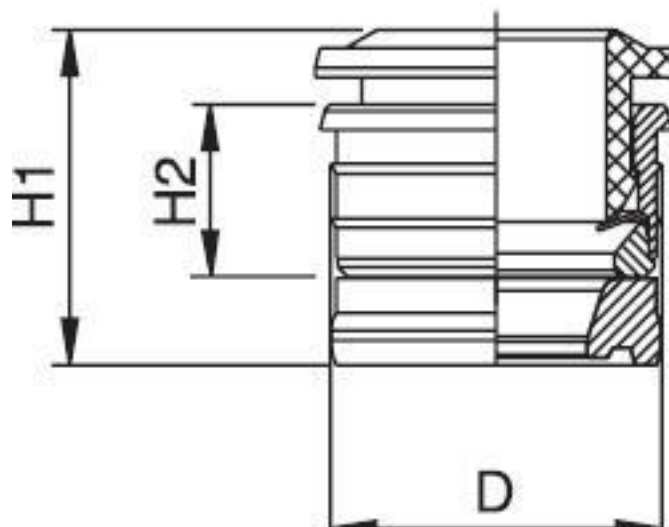
Размер Ø3,0 - Ø12,0 mm

APPLICATIONS

- Pneumatic automation
- Automotive
- Textile, Packaging
- Compressed Air Circuit
- Vacuum

VARIANTS AND ADVANTAGES

- Quick connection and disconnection
- Full Flow and Vacuum resistant tank to special shaped seals
- threads available:
 - BSPP
 - BSPT (universal short)
 - Metric
- Metal Robustness
- Wide Range
- Silicon Free



No.	Parts	Material
1	Body	Nickel-plated brass
2	Rings	Acetalic resin
3	Capsule	Nickel-plated brass Capsule
4	Clamping washer	Steel AISI 301
5	Position ring	Technopolymeric
6	Molded seal	NBR
7	Thread packing	NBR
8	Threaded base	Nickel Plated Brass
9	Seeger	Seeger
10	Seal	NBR

Specifications	
Standards Reference:	ROHS 2011/65/CE
	PED 2014/68/UE
	ISO 14743:2004
	Sillicon free
Size:	Ø 3,0 - Ø 12,0 mm

Code	ø tube	D	H1	H2	Bag
------	--------	---	----	----	-----

55800 PUSH FIT CARTRIDGES

Материал Brass/PVC/1.0619

Налягане PN 20

Размер Ø3,0 - Ø12,0 mm

Code	ø tube	D	H1	H2	Bag
5580000008	3	6.7	9	5	25
5580000001	4	8.7	11	5.6	25
5580000002	5	9.75	11.8	6.3	25
5580000003	6	10.75	12.4	6.9	25
5580000004	8	12.7	12.4	6.9	25
5580000005	10	15.7	15.7	8.5	25
5580000006	12	18.3	17.8	9.5	25