

## 9260 CONNECTOR ELBOW

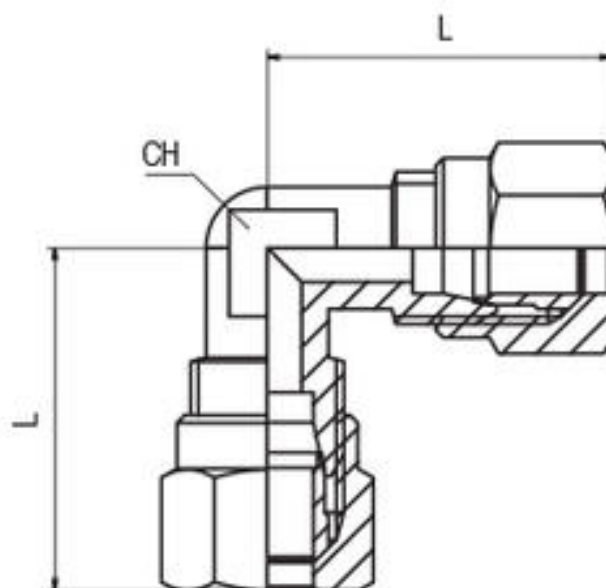
Материал brass  
 Налягане PN 20  
 Размер Ø4,0 - Ø18,0 mm

### APPLICATIONS

- Pneumatic Automation
- Automotive
- Textile, Packaging
- Compressed Air Circuit
- Vacuum

### VARIANTS AND ADVANTAGES

- N/A



No.	Parts	Material
1	Body	Nickel-plated brass
2	Compression Rings	Brass

Specifications	
Standards Reference:	ROHS 2011/65/CE
	PED 2014/68/UE
	ISO 14743:2004
	Sillicon free
Tube diameter range:	4,0 - 18,0 mm

Code	Tube	L	Ch	Bag
926000001	4	21	8	10
926000002	6	22.5	9	10
926000003	8	26.5	12	10
926000004	10	31.5	13	10
926000005	12	34.5	14	10
926000006	14	38	17	10

## 9260 CONNECTOR ELBOW

Материал brass

Налягане PN 20

Размер Ø4,0 - Ø18,0 mm

Code	Tube	L	Ch	Bag
926000007	15	37.5	17	10
926000008	16	44	19	10
926000009	18	44	22	10