

## 9280 CONNECTOR ELBOW MALE

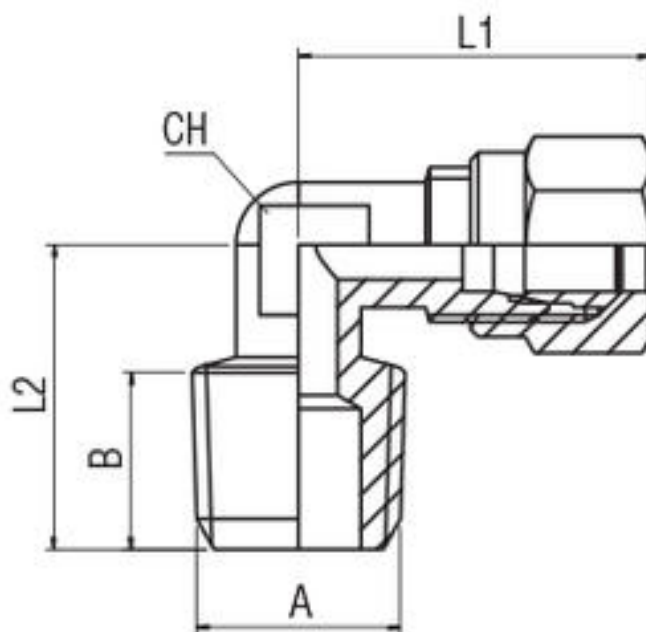
Материал brass  
 Налягане PN 20  
 Размер Ø4,0 - Ø18,0 mm

### APPLICATIONS

- Pneumatic Automation
- Automotive
- Textile, Packaging
- Compressed Air Circuit
- Vacuum

### VARIANTS AND ADVANTAGES

- N/A



No.	Parts	Material
1	Body	Nickel-plated brass
2	Compression Rings	Brass

### Specifications

Standards Reference:	ROHS 2011/65/CE
	PED 2014/68/UE
	ISO 14743:2004
	Silicon free
Tube diameter range:	4,0 - 18,0 mm

Code	Tube	A	B	L1	L2	Ch	Bag
928000001	4	1/8	7.5	22	15	8	10
928000002	6	1/8	7.5	23.5	17	9	10
928000003	6	1/4	11	24	19.5	9	10
928000004	8	1/8	7.5	26.5	18	12	10
928000005	8	1/4	11	26.5	21.5	11	10
928000006	8	3/8	11.5	29.5	24.5	13	10

## 9280 CONNECTOR ELBOW MALE

Материал brass

Налягане PN 20

Размер Ø4,0 - Ø18,0 mm

Code	Tube	A	B	L1	L2	Ch	Bag
928000007	10	1/4	11	33	23.5	13	10
928000008	10	3/8	11.5	33	24.5	13	10
928000009	12	3/8	11.5	34.5	25	14	10
928000010	12	1/2	14	34.5	28	15	10
928000011	14	1/2	14	38.5	30	17	10
928000012	15	1/2	14	37	29	17	10
928000013	16	1/2	14	43	31.5	19	10
928000014	18	1/2	14	44	33.5	22	10