

BRASS BALL VALVE THREADED 2 PARTS • DIN PN 16

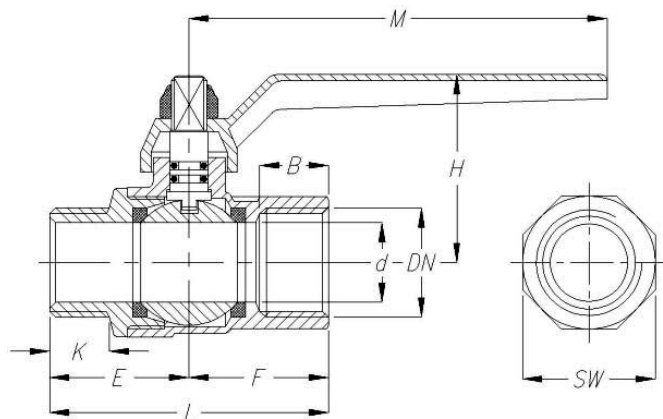
Материал brass CW617N (Ms58 NiCr)
chrome plated
Налягане PN 16
Размер G 1/4" - 2"

APPLICATION

Three way ball valve of either L or T type. Full bore.
Corrosive fluids. Fuel oil, lubricating oil and flammable hydraulic oil. Cargo oil. Air. Gas. Non-flammable hydraulic fluid. Boiler feedwater, condensate. Seawater and freshwater.

VARIANTS

Other materials on request.



No.	Part	Material	Specifications	
1	Body	Brass CW617N	Standart:	DIN
2	Ball	Brass CW617N + Chrome plated	Connection standard:	ISO 228-1. BSPP
3	Seat	PTFE	Face to face standard:	EN558, Series 1
4	Stem	Brass CW617N	Execution:	Straight
5	Spindle O-ring	HNBR	Connection type:	Screwed
			Operation:	Lever
			Actuation:	quarterturn
			Tmax	180 °C

Dn	D	B	E	F	H	K	L	M	Sw	Weight	Pn	
["]	[mm]										[kg]	
1/4"	8	11	23,75	30,75	38,5	9,7	54,5	80	17	0,15	80	
3/8"	10	11,4	24,75	31,25	38,5	10,1	56	80	21	0,14	80	
1/2"	15	15	29,75	37,25	41	13,2	67	95	25	0,23	50	
3/4"	20	16,3	35	42,5	50,5	14,5	77,5	115	31	0,37	50	
1"	25	19,1	41,5	47,5	54,5	16,9	89	115	38	0,59	50	
1 ¼"	32	21,4	49,25	53,75	66	19,1	103	130	47	0,91	50	
1 ½"	40	21,4	54	59,5	72	19,1	113,5	150	54	1,18	40	
2"	50	25,7	65	71,5	88,5	23,4	136,5	170	66	1,88	40	