

## BRASS BALL VALVE THREADED 2 PARTS WITH DRAIN PORT • DIN PN 16

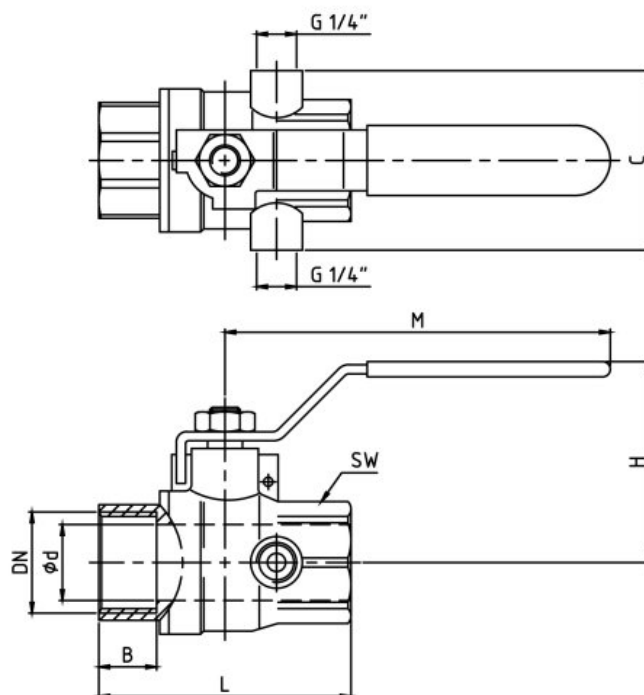
Материал brass CW617N (Ms58 NiCr)  
chrome plated  
Налягане PN 16  
Размер G 1/2" - 1 1/2"

### APPLICATION

Three way ball valve of either L or T type. Full bore.  
Corrosive fluids. Fuel oil, lubricating oil and flammable hydraulic oil. Cargo oil. Air. Gas. Non-flammable hydraulic fluid. Boiler feedwater, condensate. Seawater and freshwater.

### VARIANTS

Other materials on request.



No.	Part	Material	Specifications	
1	Body	Brass CW617N	Standart:	DIN
2	Ball	Brass CW617N + Chrome plated	Connection standard:	ISO 228-1. BSPP
3	Seat	PTFE	Face to face standard:	Factory standard
4	Stem	Brass CW617N	Execution:	Straight
5	Spindle O-ring	NBR	Connection type:	Screwed
			Operation:	Lever
			Actuation:	quarterturn
			Tmax	70 °C

Dn	D	B	L	H	M	Kv	Sw	Weight
["]	[mm]							[kg]
1/2"	15	15	67	52	90	20	26	0,21
3/4"	20	16	76	55	90	45	31	0,35
1"	25	19	88	64	125	60	38	0,54
1 1/4"	32	21	93	69	125	100	48	0,84

**BRASS BALL VALVE THREADED 2 PARTS WITH  
DRAIN PORT • DIN PN 16**

Материал brass CW617N (Ms58 NiCr)  
chrome plated  
Налягане PN 16  
Размер G 1/2" - 1 1/2"

<b>Dn</b>	<b>D</b>	<b>B</b>	<b>L</b>	<b>H</b>	<b>M</b>	<b>Kv</b>	<b>Sw</b>	<b>Weight</b>
<b>["]</b>	<b>[mm]</b>							<b>[kg]</b>
1 ½"	40	21	120	77	140	170	55	1