

BRASS CHECK VALVE AXIAL DIN PN 16

Материал brass CW710R; DIN SoMs59

Налягане PN 16

Размер G 1/2" - 4"

DESCRIPTIONS

Swing check valve with soft disc sealing, PTFE. Female screwed ends and screwed cover.

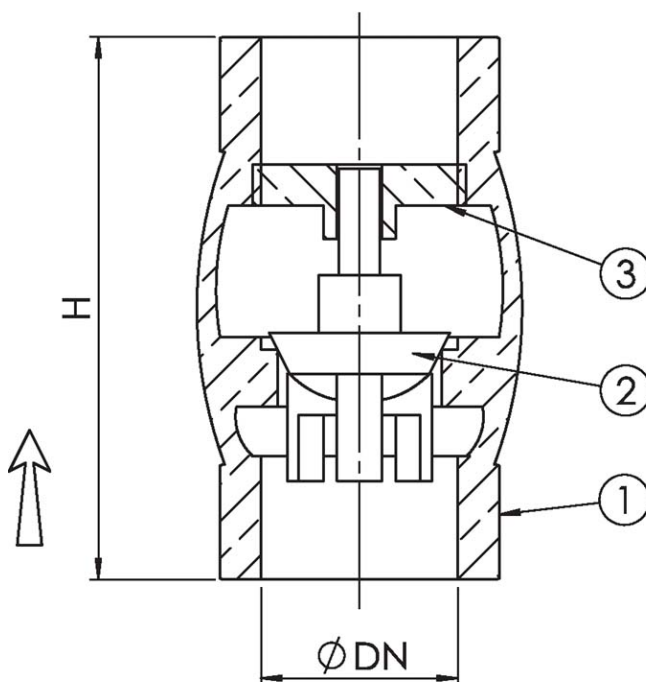
MEDIA

- Steam. Fuel oil, lubricating oil and flammable hydraulic oil.
Cargo oil. Air. Gas. Non-flammable hydraulic fluid.
- Boiler feedwater, condensate. Seawater and freshwater.

VARIANTS

Other materials on request

OPTIONS



No.	Part	Material	Specifications	
1	Body	Brass CW607N (Ms58)	Standart:	DIN
2	Disc	Brass CW607N (Ms58)	Screw type	BSP
3	Nut	Brass CW607N (Ms58)	Bonnet connection:	Screwed
			Execution:	Straight
			Connection type:	Screw ends
			Operation:	Non-return valve
			Actuation:	Self Return / Variant with spring
			Tmax	120 °C

Dn	Pressure rating	Connection	H	Weight (kg)
15	16	G 1/2"	52	0,2
20	16	G 3/4"	55	0,4
25	16	G 1"	59	0,6
32	16	G 1 1/4"	63	0,9
40	16	G 1 1/2"	71	1,3

BRASS CHECK VALVE AXIAL DIN PN 16

Материал brass CW710R; DIN SoMs59

Налягане PN 16

Размер G 1/2" - 4"

Dn	Pressure rating	Connection	H	Weight (kg)
50	16	G 2"	77	2
65	16	G 2 1/2"	96	3,5
80	16	G 3"	102	4
100	16	G 4"	120	5,4