

BRASS CHECK VALVE WITH HORIZONTAL MOUNTING DIN 3202 PN 16

Материал brass CW710R; DIN SoMs59

Налягане PN 16

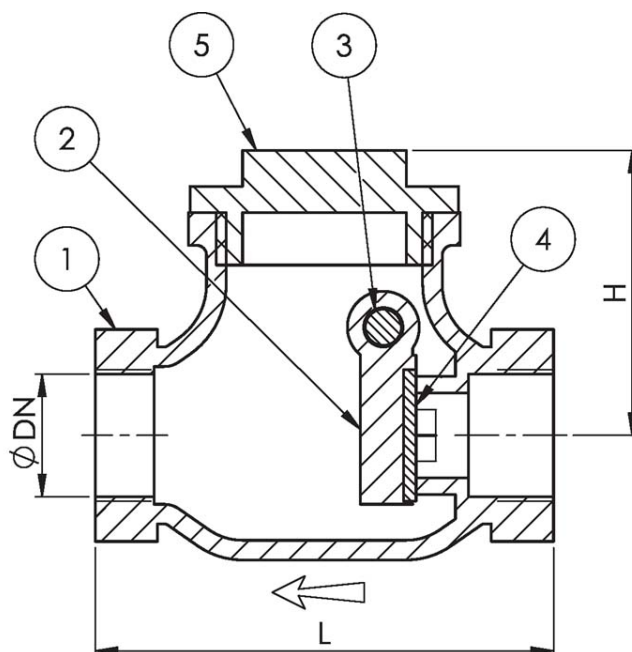
Размер G 1/2" - 4"

APPLICATION

Fuel oil, lubricating oil and flammable hydraulic oil. Boiler feedwater, condensate. Seawater and freshwater.

VARIANTS

Other materials on request



No.	Part	Material	Specifications	
1	Body	Bronze CC491K (RG5)	Standart:	DIN
2	Disc	Bronze CC491K (RG5)	Screw type	BSPP
3	Pin	Brass CW614N (Ms58)	Bonnet connection:	Screwed
4	Disc sealing	PTFE	Execution:	Straight
5	Cover	Bronze CC491K (RG5)	Connection type:	Screw ends
			Operation:	Non-return valve
			Actuation:	Self Return
			Tmax	100 °C

Dn	Pressure rating	Connection	L	H	Weight (kg)
15	16	G 1/2"	45	42	0,3
20	16	G 3/4"	53	46	0,5
25	16	G 1"	63	49	0,7
32	16	G 1 1/4"	72	54	0,9
40	16	G 1 1/2"	80	59	1,2
50	16	G 2"	91	67	1,8

**BRASS CHECK VALVE WITH HORIZONTAL
MOUNTING DIN 3202 PN 16**

Материал brass CW710R; DIN SoMs59

Налягане PN 16

Размер G 1/2" - 4"

Dn	Pressure rating	Connection	L	H	Weight (kg)
65	16	G 2 1/2"	120	105	3,5
80	16	G 3"	135	125	5
100	16	G 4"	164	130	5