

## BRASS STRAINER THREADED TYPE "Y"

Материал месинг CW710R; DIN SoMs59

Налягане PN 16

Размер G 1/2" - 2"

### DESCRIPTIONS

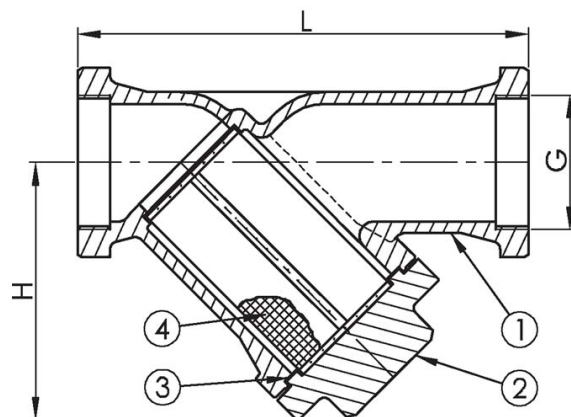
Strainers are used in systems which needs to be protected against debris during pipe installation or regular operation. Y-strainer. It is possible to get the strainer basket with different mesh size.

### Media

Fuel oil, lubricating oil and flammable hydraulic oil. Cargo oil. Seawater and freshwater.

### VARIANTS

Other body materials on request. Other mesh sizes on request.



No.	Part	Material
1	Body	Bronze CC491K (RG5)
2	Threaded cap	Brass CW614N (Ms58)
3	Gasket	NBR bonded aramid
4	Strainer	Stainless steel 1.4301 (AISI304)

Specifications	
Standart:	DIN
Execution:	Straight
Bonnet:	Screwed
Connection type:	Threaded Female
Actuation:	No actuation
Tmax	120 °C
Perforation:	Dia. 1 mm

Dn	Pressure rating	Connection female bsp	L	H	Weight (kg)
15	PN 16	G 1/2"	60	35	0.2
20	PN 16	G 3/4"	68	42	0.3

## BRASS STRAINER THREADED TYPE "Y"

Материал месинг CW710R; DIN SoMs59

Налягане PN 16

Размер G 1/2" - 2"

Dn	Pressure rating	Connection female bsp	L	H	Weight (kg)
25	PN 16	G 1"	76	55	0.7
32	PN 16	G 1 1/4"	90	63	1.5
40	PN 16	G 1 1/2"	105	77	1.5
50	PN 16	G 2"	125	91	4