

BRONZE CHECK VALVE WITH HORIZONTAL MOUNTING DIN PN 16

Материал bronze CC491K; DIN RG5

Налягане PN 16

Размер DN 32 - 300

DESCRIPTIONS

Swing check valve with soft disc sealing, flanged connection and bolted cover.

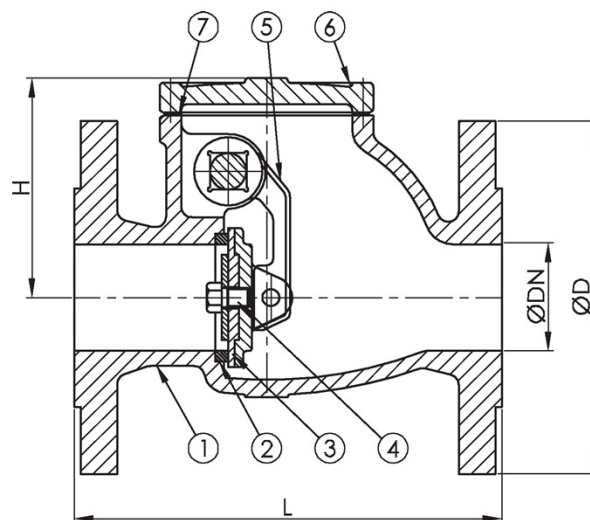
MEDIA

- Steam. Thermal oil. Fuel oil, lubricating oil and flammable hydraulic oil. Cargo oil. Air. Gas.

- Non-flammable hydraulic fluid. Boiler feedwater, condensate. Seawater and freshwater.

VARIANTS

Other materials on request



Nr.	Part	Materials
1	Body	Bronze CC491K (RG5)
2	Body seat	Bronze CC491K (RG5)
3	Disc sealing	NBR
4	Stem	Bronze CC491K (RG5)
5	Disc, hinge arm	Bronze CC491K (RG5)
6	Cover	Bronze CC491K (RG5)
7	Bonnet gasket	NBR bonded aramid

Specifications

Flange standard:	EN 1092-3
Face to face standard:	EN 558, series 48
Bonnet connection:	Bolted
Execution:	Straight
Connection type:	Flanged
Actuation:	Self return
MAX. WORKING PRESSURE (BAR) AT °C	
DN	-10°C to +120°C
32 - 150	PN 16

BRONZE CHECK VALVE WITH HORIZONTAL MOUNTING DIN PN 16

Материал bronze CC491K; DIN RG5

Налягане PN 16

Размер DN 32 - 300

Specifications	
200 - 300	PN 10

Dn	Pressure rating	L	D	H	Weight (kg)
32	PN 16	180	140	95	9
40	PN 16	180	150	95	9
50	PN 16	200	165	100	13
65	PN 16	240	185	115	16
80	PN 16	260	200	135	24
100	PN 16	300	220	145	27
125	PN 16	350	250	160	42
150	PN 16	400	285	180	58
200	PN 10	500	340	270	118
250	PN 10	600	395	320	170
300	PN 10	700	445	350	260

All measurements in mm. Weights are approximations.