

BRONZE GATE VALVE FLANGED DIN 3352 T11

Материал bronze CC491K (RG5)

Налягане PN 16

Размер DN 15 - 100

DESCRIPTIONS

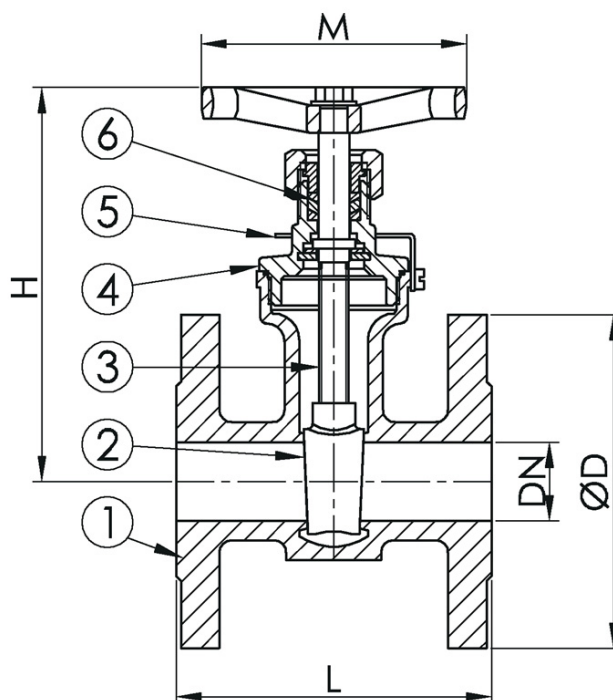
Gate valve used as shut off in liquid and steam applications. Multiturn operation. Non-rising stem.

MEDIA

Steam, thermal oil, fuel oil, lubricating oil and flammable hydraulic oil, cargo oil, seawater and freshwater"

OPTIONS

Different materials at request



No.	Parts	Material
1	Body	bronze CC491K (RG5)
2	Wedge	bronze CC491K (RG5)
3	Stem	special brass CW710R (SoMs59)
4	Bonnet	bronze CC491K (RG5)
5	Securing plate	galvanized steel
6	Bonnet sealing	rubber/PTFE fiber composite

Specifications	
Standard:	DIN86720 (DIN 3552 T11) - flat flanges
Flanges:	EN1092-3/A (DIN 2501)
Face to face standard:	EN 558 series 47 (DIN 3202 F19)
Bonnet connection:	screwed, secured
Execution:	straight
Connection type:	flanged
Operation:	handwheel

BRONZE GATE VALVE FLANGED DIN 3352 T11

Материал bronze CC491K (RG5)

Налягане PN 16

Размер DN 15 - 100

Specifications	
Actuation:	multiturn
T max.	PN16 / 120 °C; PN10 / 150 °C; PN6 / 180 °C

Dn	Pn	Flange/pn	L	D	H	M	Weight (kg)
15	PN 16	PN16	80	95	85	60	1.4
20	PN 16	PN16	75	105	100	60	1.8
25	PN 16	PN16	80	115	115	80	2.3
32	PN 16	PN16	90	140	130	80	3.6
40	PN 16	PN16	100	150	150	80	4.6
50	PN 16	PN16	110	165	180	100	6.4
65	PN 16	PN16	130	185	215	140	9.4
80	PN 16	PN16	150	200	250	160	12
100	PN 16	PN16	160	220	315	160	29

All dimensions are in [mm]