

BRONZE GATE VALVE THREADED DIN 3352 T12

Материал bronze CC491K (RG5)
 Налягане PN 16
 Размер DN 8 - 80

DESCRIPTIONS

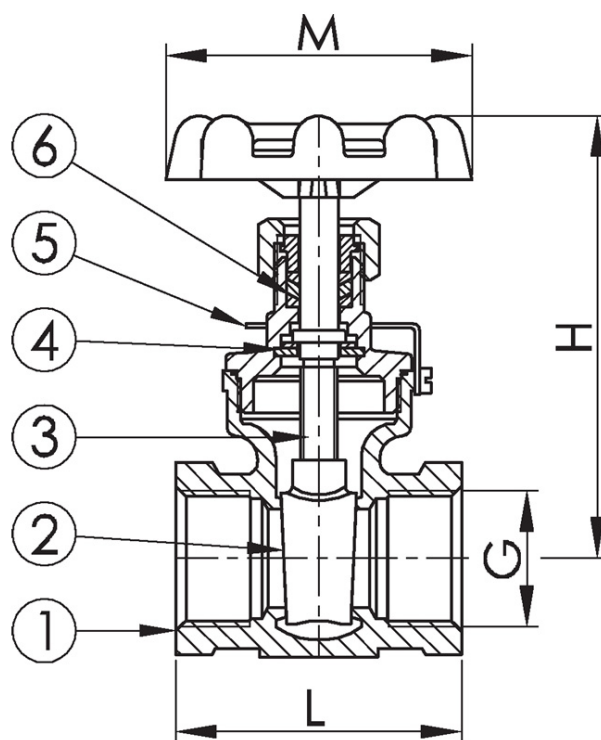
Gate valve used as shut off in liquid and steam applications.
 Multiturn operation. Rising stem.

MEDIA

Steam, thermal oil, fuel oil, lubricating oil and flammable hydraulic oil, cargo oil, seawater and freshwater"

OPTIONS

Different materials at request



No.	Part	Material
1	Body	Bronze CC491K (RG5)
2	Wedge	Bronze CC491K (RG5)
3	Stem	Special brass CW710R (SoMs59)
4	Bonnet	Bronze CC491K (RG5)
5	Securing plate	Galvanized steel
6	Bonnet sealing	Rubber/PTFE fiber composite

Specifications	
Building standard:	DIN
Bonnet connection:	Screwed, Secured
Execution:	Straight
Connection type:	Threaded female
Operation:	Handwheel
Actuation:	Multiturn

BRONZE GATE VALVE THREADED DIN 3352 T12

Материал bronze CC491K (RG5)

Налягане PN 16

Размер DN 8 - 80

Dn	Pn	Connection	L	H	M	Weight (kg)
1/2"	16	Thread FF / G1/2"	55	85	60	0.4
3/4"	16	Thread FF / G3/4"	60	105	70	0.5
1"	16	Thread FF / G1"	68	115	70	0.8
1 1/4"	16	Thread FF / G1 1/4"	76	130	80	1.1
1 1/2"	16	Thread FF / G1 1/2"	76	150	90	1.6
2"	16	Thread FF / G2"	93	180	110	2.4
2 1/2"	16	Thread FF / G2 1/2"	110	220	150	3.9
All dimensions are in [mm]						