

BRONZE GLOBE CHECK VALVE SPRING RETURN DIN PN 16

Материал bronze CC491K; DIN RG5

Налягане PN 16

Размер DN 15 - 150

DESCRIPTIONS

Swing check valve with soft disc sealing, flanged connection and bolted cover.

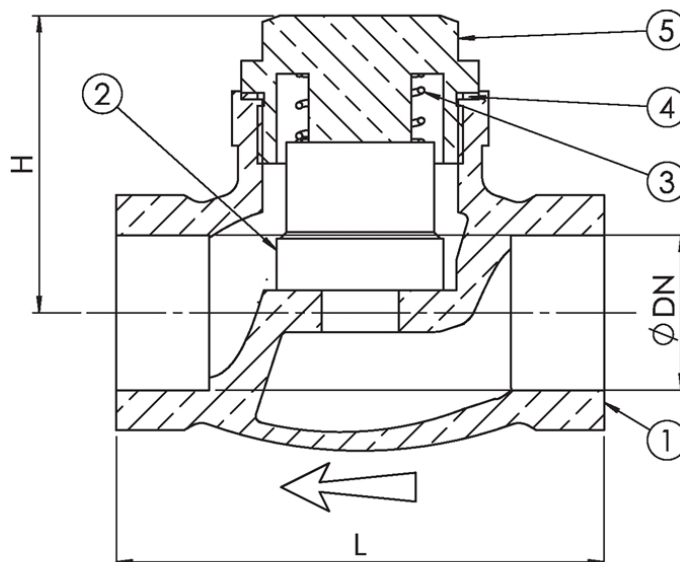
MEDIA

- Steam. Thermal oil. Fuel oil, lubricating oil and flammable hydraulic oil. Cargo oil. Air. Gas.

- Non-flammable hydraulic fluid. Boiler feedwater, condensate. Seawater and freshwater.

VARIANTS

Other materials on request



No.	Part	Dimensions	Material	Specifications	
1	Body		Bronze CC491K (RG5)	Standart:	DIN
2	Disc	DN 10-50	Bronze CC493K (RG7)	Face to face standard:	EN558, Series 1
2	Disc	DN 65-80	Bronze CC491K (RG5)	Bonnet connection:	Screw type
3	Spring		Stainless steel 1.4571 (AISI316Ti)	Execution:	Straight
4	Gasket		PTFE	Connection type:	Flanged
5	Blind plug	DN 10-32	Special brass CW710R (SoMs59)	Operation:	Non-return valve
5	Blind plug	DN 40-80	Bronze CC491K (RG5)	Actuation:	Spring Return
				Tmax	180 °C

Dn	Pressure rating	Connection	L	H	Weight (kg)
10	16	G 3/8"	60	40	0,3
15	16	G 1/2"	65	40	0,1
20	16	G 3/4"	75	50	0,5
25	16	G 1"	90	50	0,9

**BRONZE GLOBE CHECK VALVE SPRING
RETURN DIN PN 16**

Материал bronze CC491K; DIN RG5

Налягане PN 16

Размер DN 15 - 150

Dn	Pressure rating	Connection	L	H	Weight (kg)
32	16	G 1 1/4"	105	60	1,3
40	16	G 1 1/2"	120	65	1,9
50	16	G 2"	145	75	3
65	16	G 2 1/2"	170	90	5,8
80	16	G 3"	200	100	7,3