

# BUTTERFLY VALVE DOUBLE FLANGED DIN PN 10

Материал EN-JL1040; DIN GG25

Налягане PN 10

Размер DN 50 - 600

## APPLICATION

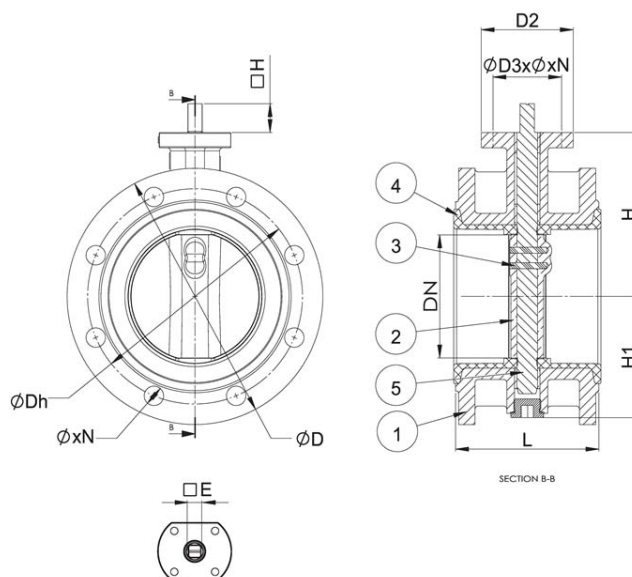
- Corrosive fluids.
- Fuel oil, lubricating oil and flammable hydraulic oil.
- Cargo oil. Non-flammable hydraulic fluid.

## VARIANTS

- Disc in AISI316.
- Lining in EPDM/NBR FPM/FKM.
- Other body materials on request.

## OPTIONS

- Manual lever.
- Worm gear.
- Electric or pneumatics actuators.



No.	Part	Material
1	Body	Cast iron EN-JL1040 (GG25)
2.1	Disc	Nodular Cast Iron
		EN-JL1030 (GGG40)+Chrome plated
2.2	Disc	Stainless steel 1.4401 (AISI316)
3	Pin	Stainless steel 1.4408 (AISI316)
4	Sealing	NBR / EPDM
5	Stem	St. steel 1.4408 (AISI 316)

Specifications	
Flange Standart:	ISO 7005-2, JIS B2239
Top Flange:	ISO 5211
Face to face standard:	EN558, Series 14
Execution:	Straight
Connection type:	Flanged PN10
Operation:	Manual, Electric,
	Gear box, Lever, PNeumatic
Actuation:	Quarter turn
Tmax [°C]	NBR seat +90 °C

# BUTTERFLY VALVE DOUBLE FLANGED DIN PN 10

Материал EN-JL1040; DIN GG25

Налягане PN 10

Размер DN 50 - 600

Specifications	
	EPDM seat +130 °C

Dn	Pressure rating	Connection	L	ød	ødh	Nxø	ød3xøxn	H	H1	øh	øe	Weight (kg)
50	10	PN10	108	165	125	4 x 19	50x8x4	120	83	32	11	10
65	10	PN10	112	185	145	4 x 19	50x8x4	130	93	32	11	12
80	10	PN10	114	200	160	8 x 19	50x8x4	145	100	32	11	14
100	10	PN10	127	220	180	8 x 19	70x10x4	155	114	32	14	16
125	10	PN10	140	250	210	8 x 19	70x10x4	170	125	32	16	20
150	10	PN10	140	285	240	8 x 23	70x10x4	190	143	32	16	27
200	10	PN10	152	340	295	8 x 23	102x12x4	205	170	45	20	35
250	10	PN10	165	395	350	12 x 23	102x12x4	235	198	45	24	51
300	10	PN10	178	445	400	12 x 23	102x12x4	280	223	45	26	62
350	10	PN10	190	505	460	16 x 23	102x12x4	310	270	45	26	90
400	10	PN10	216	565	515	16 x 28	140x18x4	340	300	51	28	124
450	10	PN10	222	615	565	20 x 28	140x18x4	375	340	51	30	180
500	10	PN10	229	670	620	20 x 28	165x22x4	430	355	57	36	210
600	10	PN10	267	780	725	20 x 31	165x22x4	500	410	70	40	302