

BUTTERFLY VALVE DOUBLE FLANGED DIN PN 16

Материал EN-JL1040; DIN GG25

Налягане PN 16

Размер DN 50 - 600

APPLICATION

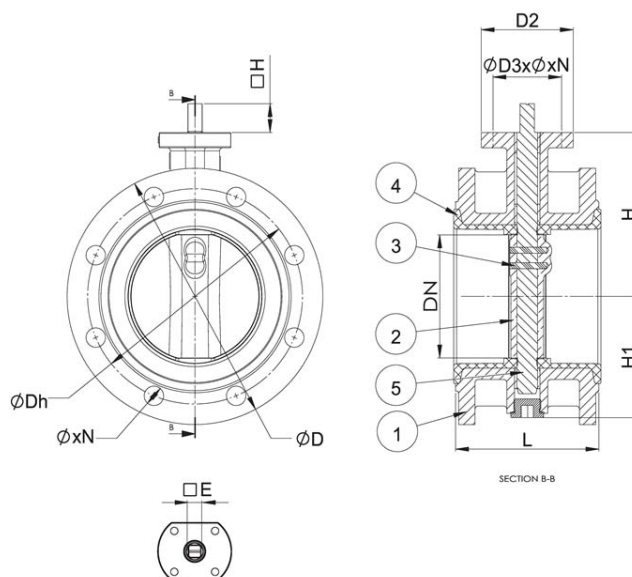
- Corrosive fluids.
- Fuel oil, lubricating oil and flammable hydraulic oil.
- Cargo oil. Non-flammable hydraulic fluid.

VARIANTS

- Disc in AISI316.
- Lining in EPDM/NBR FPM/FKM.
- Other body materials on request.

OPTIONS

- Manual lever.
- Worm gear.
- Electric or pneumatics actuators.



No.	Part	Material
1	Body	Cast iron EN-JL1040 (GG25)
2.1	Disc	Nodular Cast Iron
		EN-JL1030 (GGG40)+Chrome plated
2.2	Disc	Stainless steel 1.4401 (AISI316)
3	Pin	Stainless steel 1.4408 (AISI316)
4	Sealing	NBR / EPDM
5	Stem	St. steel 1.4408 (AISI 316)

Specifications	
Flange Standart:	ISO 7005-2, JIS B2239
Top Flange:	ISO 5211
Face to face standard:	EN558, Series 14
Execution:	Straight
Connection type:	Flanged PN10
Operation:	Manual, Electric,
	Gear box, Lever, PNeumatic
Actuation:	Quarter turn
Tmax [°C]	NBR seat +90 °C

BUTTERFLY VALVE DOUBLE FLANGED DIN PN 16

Материал EN-JL1040; DIN GG25

Налягане PN 16

Размер DN 50 - 600

Specifications	
	EPDM seat +130 °C

Dn	Pressure rating	Connection	L	ød	ødh	Nxø	ød3xøxn	H	H1	øh	øe	Weight (kg)
50	16	PN16	108	165	125	4 x 19	50x8x4	120	83	32	11	10
65	16	PN16	112	185	145	4 x 19	50x8x4	130	93	32	11	12
80	16	PN16	114	200	160	8 x 19	50x8x4	145	100	32	11	14
100	16	PN16	127	220	180	8 x 19	70x10x4	155	114	32	14	16
125	16	PN16	140	250	210	8 x 19	70x10x4	170	125	32	16	20
150	16	PN16	140	285	240	8 x 23	70x10x4	190	143	32	16	27
200	16	PN16	152	340	295	12 x 22	102x12x4	205	170	45	20	35
250	16	PN16	165	405	355	12 x 26	102x12x4	235	198	45	24	51
300	16	PN16	178	460	410	12 x 26	102x12x4	280	223	45	26	62
350	16	PN16	190	520	470	16 x 26	102x12x4	310	270	45	26	90
400	16	PN16	216	580	525	16 x 30	140x18x4	340	300	51	28	124
450	16	PN16	222	640	585	20 x 30	140x18x4	375	340	51	30	180
500	16	PN16	229	715	650	20 x 33	165x22x4	430	355	57	36	210
600	16	PN16	267	840	770	20 x 36	165x22x4	500	410	70	40	302