

# BUTTERFLY VALVE TYPE LUG DIN PN 10

Материал EN-JL1030; DIN GGG40

Налягане PN 10

Размер DN 200 - 600

## APPLICATION

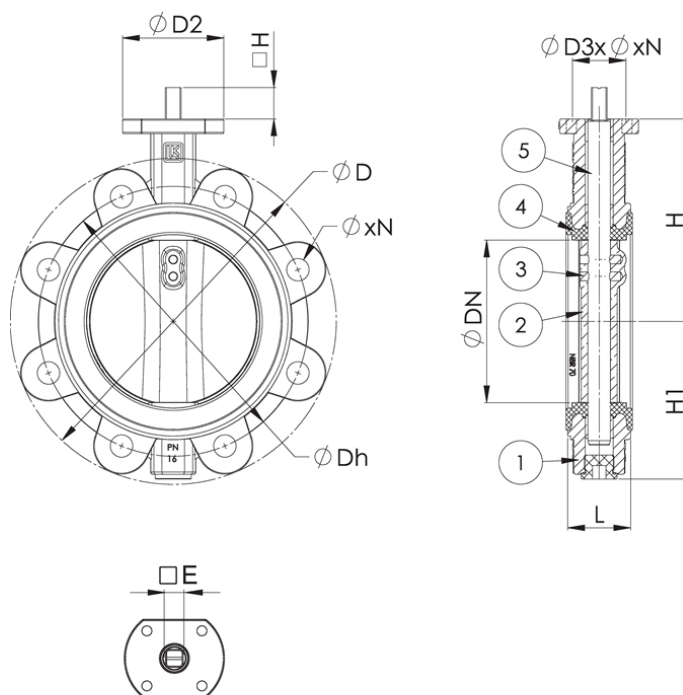
Fuel oil, lubricating oil and flammable hydraulic oil.  
Cargo oil. Air. Gas. Non-flammable hydraulic fluid.  
Boiler feedwater, condensate. Seawater and freshwater.

## VARIANTS

- Disc in AISI316.
- Lining in EPDM or FPM/FKM.
- Other body materials on request.

## OPTIONS

- Manual lever.
- Worm gear.
- Electric or pneumatic actuators.



No.	Part	Material
1	Body	Nodular Iron EN-JL1030 (GGG40)
2	Disc	St. steel 1.4408 (AISI 316)
3	Seat	NBR / EPDM
4	Pin	St. steel 1.4401 (AISI 304)
5	Stem	St. steel 1.4408 (AISI 316)

Specifications	
Flange Standart:	ISO 7005-2, JIS B2239
Top Flange:	ISO 5211
Face to face standard:	EN558, Series 20
Bonnet connection:	Bolted
Execution:	Straight
Connection type:	EN1092-1 / PN10
Operation:	Manual lever, Worm gear,
	Electric and pneumatic actuators

# BUTTERFLY VALVE TYPE LUG DIN PN 10

Материал EN-JL1030; DIN GGG40

Налягане PN 10

Размер DN 200 - 600

Specifications	
Actuation:	Quarter turn 90°
Tmax: [°C]	NBR seat: +90 °C
	EPDM seat: +130 °C

Dn	Press. rating	Connection	L	#e	ød	ødh	Thd. x n	ød2	ød3xøxn	#h	H	H1	Kg
200	PN 10	PN 10	60	17	335	295	M20x8	90	70x9x4(F07)	25	204	167	16
250	PN 10	PN 10	68	22	420	350	M20x12	125	102x12x4 (F10)	30	245	203	31
300	PN 10	PN 10	78	22	478	400	M20x12	125	102x12x4 (F10)	30	270	228	43
350	PN 10	PN 10	78	27	516	460	M20x16	150	125x14x4 (F12)	30	315	288	54
400	PN 10	PN 10	102	27	581	515	M24x16	150	125x14x4 (F12)	30	350	305	84
450	PN 10	PN 10	114	36	641	565	M24x20	175	140x18x4 (F14)	38	375	335	116
500	PN 10	PN 10	127	36	710	620	M24x20	175	140x18x4 (F14)	38	415	379	152
600	PN 10	PN 10	154	46	780	725	M27x20	210	165x22x4 (F16)	48	465	431	208