

BUTTERFLY VALVE TYPE WAFER DIN-ANSI-JIS

Материал EN-JL1030; DIN GGG40

Налягане PN-6-10-16-ansi-150

Размер DN 40 - 600

APPLICATION

Soft seated,centric, wafer type butterfly valve with one-piece stem. Vulcanized rubber liner by injection moulding. Multiflange PN10/PN16/JIS5K/JIS10K. Top flange according to ISO 5211. Due to the meticulous vulcanization process of the lining,the valve can handle negative pressure (vacuum).

MEDIA

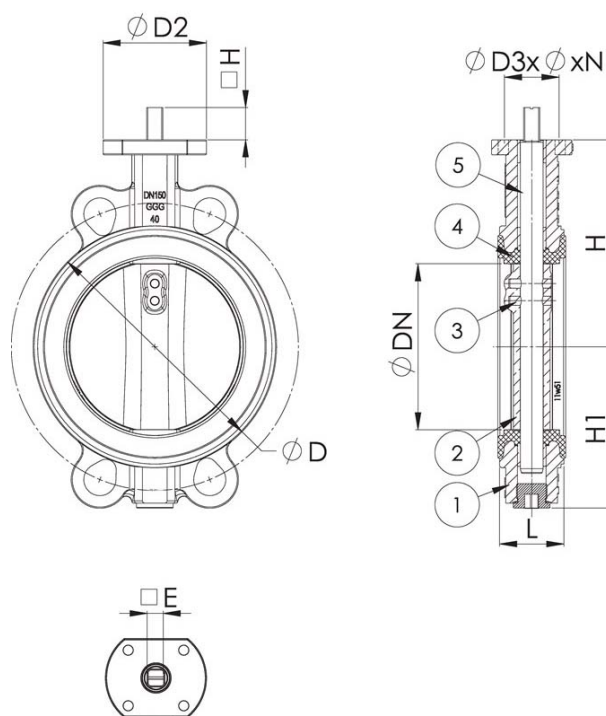
Fuel oil, lubricating oil and flammable hydraulic oil.
Cargo oil. Air. Gas. Non-flammable hydraulic fluid.
Boiler feedwater, condensate. Seawater and freshwater.

VARIANTS

- Disc in AISI316.
- Lining in EPDM or FPM/FKM.
- Other body materials on request.

OPTIONS

- Manual lever.
- Worm gear.
- Electric or pneumatic actuators.



No.	Part	Material
1	Body	Nodular Iron EN-JL1030 (GGG40)
2.1	Disc	Nodular Iron EN-JL1030 (GGG40)
		+ Chrome plated
2.2	Disc	St. steel 1.4408 (AISI 316)
3	Pin	St. steel 1.4401 (AISI 304)
4	Seat	NBR / EPDM
5	Stem	St. steel 1.4408 (AISI 316)

Specifications	
Flange Standart:	ISO 7005-2, JIS B2239
Top Flange:	ISO 5211
Face to face standard:	EN558, Series 20
Bonnet connection:	Bolted
Execution:	Straight
Connection type:	Multiflange PN6/10/16

BUTTERFLY VALVE TYPE WAFER DIN-ANSI-JIS

Материал EN-JL1030; DIN GGG40

Налягане PN-6-10-16-ansi-150

Размер DN 40 - 600

Specifications	
	ANSI #150/ JIS 5K/10K
Operation:	Manual lever, Worm gear, Electric and pneumatic actuators
Actuation:	Quarter turn 90°
Tmax: [°C]	NBR seat: +90 °C EPDM seat: +130 °C
Applications:	-35°C - +95°C

Dn	Press. rating	Connection			L	ød	ød2	ød3xøxn	H	H1	H2	#e	Kg
40	16	PN 6/10/16/25	ANSI #150	JIS 5K/10K	33	72	90	70x9x4	113	61	25	11	3
50	16	PN 6/10/16/25	ANSI #150	JIS 5K/10K	43	90	90	70x9x4	118	67	25	11	3
65	16	PN 6/10/16/25	ANSI #150	JIS 5K/10K	46	105	90	70x9x4	126	74	25	11	3.5
80	16	PN 6/10/16/25	ANSI #150	JIS 5K/10K	46	124	90	70x9x4	133	82	25	11	4
100	16	PN 6/10/16/25	ANSI #150	JIS 5K/10K	52	150	90	70x9x4	147	100	25	11	5
125	16	PN 6/10/16/25	ANSI #150	JIS 5K/10K	56	182	90	70x9x4	160	112	28	14	7
150	16	PN 6/10/16/25	ANSI #150	JIS 10K	56	210	90	70x9x4	180	134	28	14	10
200	16	PN 6/10/16/25	ANSI #150	JIS 5K/10K	60	265	90	70x9x4	204	159	28	17	14
250	16	PN 6/10/16/25	ANSI #150	JIS 5K/10K	68	315	125	102x12x4	245	195	30	22	20
300	16	PN 6/10/16/25	ANSI #150	JIS 5K/10K	78	371	125	102x12x4	270	220	30	22	30
350	16	PN 10			78	434	150	125x14x4	315	282	29	27	43
400	16	PN 10			102	488	150	125x14x4	350	307	29	27	70
450	16	PN 10			114	532	175	140x18x4	375	352	38	36	110
500	16	PN 10			127	585	175	140x18x4	415	387	38	36	138
600	16	PN 10/16	ANSI #150		154	685	210	165x22x4	465	452	48	46	190