

BUTTERFLY VALVES DOUBLE FLANGED DIN PN 10

Материал EN-JL1030; DIN GGG40

Налягане PN 10

Размер DN 50 - 600

APPLICATION

Soft seated, centric, lug type butterfly valve with one-piece stem. Vulcanized rubber liner by injection moulding. Top flange according to ISO 5211. Due to the meticulous vulcanization process of the lining, the valve can handle negative pressure (vacuum).

MEDIA

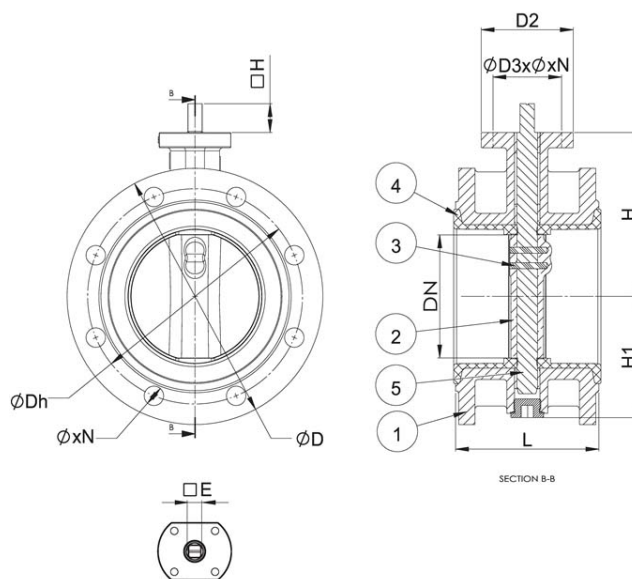
Fuel oil, lubricating oil and flammable hydraulic oil.
Cargo oil. Air. Gas. Non-flammable hydraulic fluid.
Boiler feedwater, condensate. Seawater and freshwater.

VARIANTS

- Disc in AISI316.
- Lining in EPDM or FPM/FKM.
- Other body materials on request.

OPTIONS

- Manual lever.
- Worm gear.
- Electric or pneumatic actuators.



No.	Part	Material
1	Body	Nodular iron EN-JL1030 (GGG40)
2.1	Disc	Nodular Iron EN-JL1030 (GGG40)
		+ Chrome plated
2.2	Disc	Stainless steel 1.4401 (AISI316)
3	Pin	Stainless steel 1.4408 (AISI316)
4	Sealing	NBR / EPDM
5	Stem	Stainless steel 1.4408 (AISI 316)

Specifications	
Flange Standart:	ISO 7005-2, JIS B2239
Top Flange:	ISO 5211
Face to face standard:	EN558, Series 14
Execution:	Straight
Connection type:	Flanged PN10
Operation:	Manual lever, Worm gear,
	Electric or pneumatic actuator

BUTTERFLY VALVES DOUBLE FLANGED DIN PN 10

Материал EN-JL1030; DIN GGG40

Налягане PN 10

Размер DN 50 - 600

Specifications	
Actuation:	Quarter turn
Tmax: [°C]	NBR seat: 90 °C
	EPDM seat 130 °C

Dn	Pressure rating	Connection	L	ød	ødh	øxn	ød3xøxn	H	H1	□h	□e	Weight (kg)
50	10	PN10	108	165	125	4 x 19	50x8x4	120	83	32	11	10
65	10	PN10	112	185	145	4 x 19	50x8x4	130	93	32	11	12
80	10	PN10	114	200	160	8 x 19	50x8x4	145	100	32	11	14
100	10	PN10	127	220	180	8 x 19	70x10x4	155	114	32	14	16
125	10	PN10	140	250	210	8 x 19	70x10x4	170	125	32	16	20
150	10	PN10	140	285	240	8 x 23	70x10x4	190	143	32	16	27
200	10	PN10	152	340	295	8 x 23	102x12x4	205	170	45	20	35
250	10	PN10	165	395	350	12 x 23	102x12x4	235	198	45	24	51
300	10	PN10	178	445	400	12 x 23	102x12x4	280	223	45	26	62
350	10	PN10	190	505	460	16 x 23	102x12x4	310	270	45	26	90
400	10	PN10	216	565	515	16 x 28	140x18x4	340	300	51	28	124
450	10	PN10	222	615	565	20 x 28	140x18x4	375	340	51	30	180
500	10	PN10	229	670	620	20 x 28	165x22x4	430	355	57	36	210
600	10	PN10	267	780	725	20 x 31	165x22x4	500	410	70	40	302