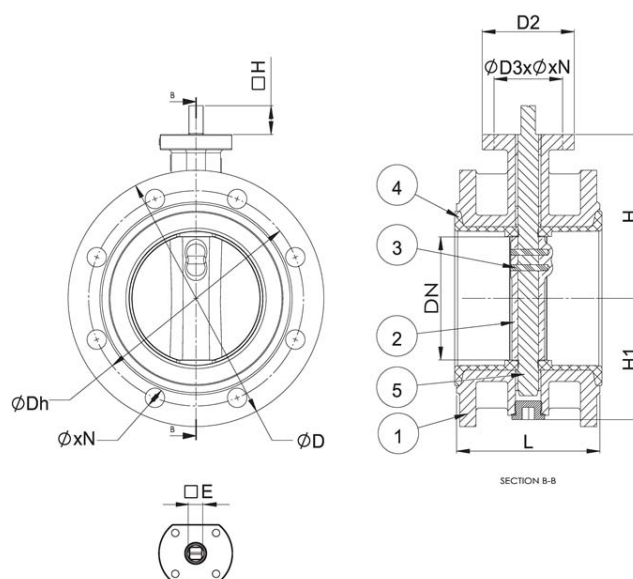


BUTTERFLY VALVES DOUBLE FLANGED DIN PN 16

Материал EN-JL1030; DIN GGG40

Налягане PN 16

Размер DN 50 - 600



No.	Part	Material
1	Body	Nodular Iron EN-JL1030 (GGG40)
2.1	Disc	Nodular Iron EN-JL1030 (GGG40) + Chrome plated
2.2	Disc	St. steel 1.4401 (AISI316)
3	Pin	St. steel 1.4408 (AISI316)
4	Sealing	NBR / EPDM
5	Stem	St. steel 1.4408 (AISI 316)

Specifications	
Flange Standart:	ISO 7005-2, JIS B2239
Top Flange:	ISO 5211
Face to face standard:	EN558, Series 14
Execution:	Straight
Connection type:	Flanged PN10
Operation:	Manual, Electric, Gear box, Lever, PNeumatic
Actuation:	Quarter turn

BUTTERFLY VALVES DOUBLE FLANGED DIN PN 16

Материал EN-JL1030; DIN GGG40

Налягане PN 16

Размер DN 50 - 600

Specifications	
Tmax	NBR seat max 90 °C
	EPDM seat 130 °C

Dn	Pressure rating	Connection	L	D	Dh	øxn	D3xøxn	H	H1	øh	øe	Weight (kg)
50	16	PN16	108	165	125	4 x Ø19	50xØ8x4	120	83	32	11	10
65	16	PN16	112	185	145	4 x Ø19	50xØ8x4	130	93	32	11	12
80	16	PN16	114	200	160	8 x Ø19	50xØ8x4	145	100	32	11	14
100	16	PN16	127	220	180	8 x Ø19	70xØ10x4	155	114	32	14	16
125	16	PN16	140	250	210	8 x Ø19	70xØ10x4	170	125	32	16	20
150	16	PN16	140	285	240	8 x Ø23	70xØ10x4	190	143	32	16	27
200	16	PN16	152	340	295	12 x Ø22	102xØ12x4	205	170	45	20	35
250	16	PN16	165	405	355	12 x Ø26	102xØ12x4	235	198	45	24	51
300	16	PN16	178	460	410	12 x Ø26	102xØ12x4	280	223	45	26	62
350	16	PN16	190	520	470	16 x Ø26	102xØ12x4	310	270	45	26	90
400	16	PN16	216	580	525	16 x Ø30	140xØ18x4	340	300	51	28	124
450	16	PN16	222	640	585	20 x Ø30	140xØ18x4	375	340	51	30	180
500	16	PN16	229	715	650	20 x Ø33	165xØ22x4	430	355	57	36	210
600	16	PN16	267	840	770	20 x Ø36	165xØ22x4	500	410	70	40	302