

CAST IRON BUTTERFLY CHECK VALVE SPRING RETURN DIN PN 10

Материал cast iron EN-JL1040; DIN GG25
 Налягане PN 10
 Размер DN 300 - 400

DESCRIPTIONS

Dual plate check valve of wafer type is used in liquid or compressed air systems to allow the media to only flow in one direction.

MEDIA

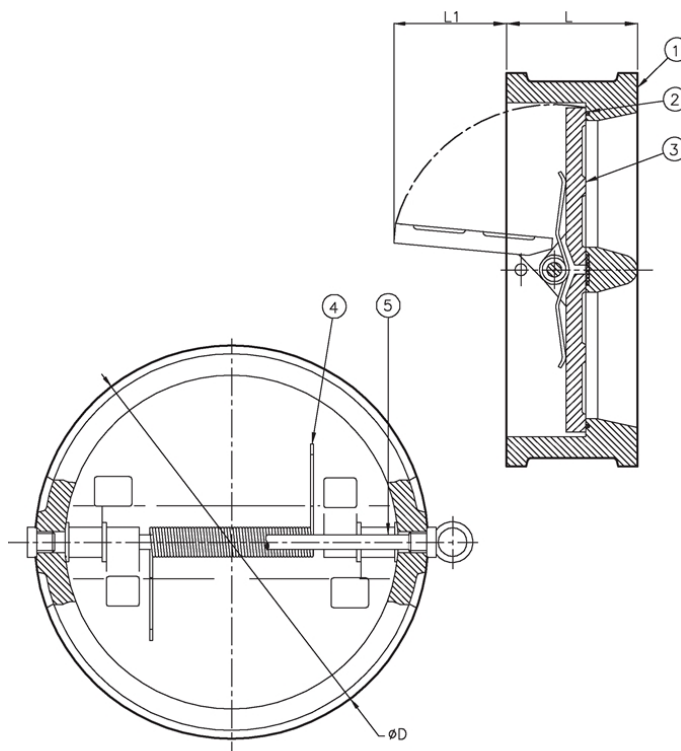
- Fuel oil, lubricating oil and flammable hydraulic oil. Cargo oil.
- Boiler feedwater, condensate. Seawater and freshwater.

VARIANTS

Other materials on request

OPTIONS

N/A



No.	Part	Material
1	Body	Ductile iron EN-JS1030 (GGG40)
2	Seat	NBR
3	Disc	Aluminium bronze CC333G (AB2)
4	Spring	Inconel
5	Shaft	Monel

Specifications	
Standart:	DIN
Flange standard:	EN1092-2
Execution:	Straight
Connection type:	Wafer
Operation:	Non-return valve
Actuation:	Spring Return

MAX. WORKING PRESSURE (BAR) AT °C		
DN	Connection	-10°C to +80°C
350 - 600	PN 10	10

Dn	Pressure rating	Connection	L	D	L1	Weight (kg)
300	10	10	114	380	100	34
350	10	10	127	440	108	55
400	10	10	140	491	137	70