

CAST IRON BUTTERFLY CHECK VALVE SPRING RETURN DIN PN 16

Материал cast iron EN-JL1040; DIN GG25
 Налягане PN 16
 Размер DN-40-400

DESCRIPTION

Valves with steel (or ductile cast iron for >DN250) discs, NBR seal, pressure rating PN 16, suitable for fitting between flanges rated DIN PN 10/16, short Face To Face, low weight and easy to install. Suitable for horizontal and vertical (upward flow) installation.

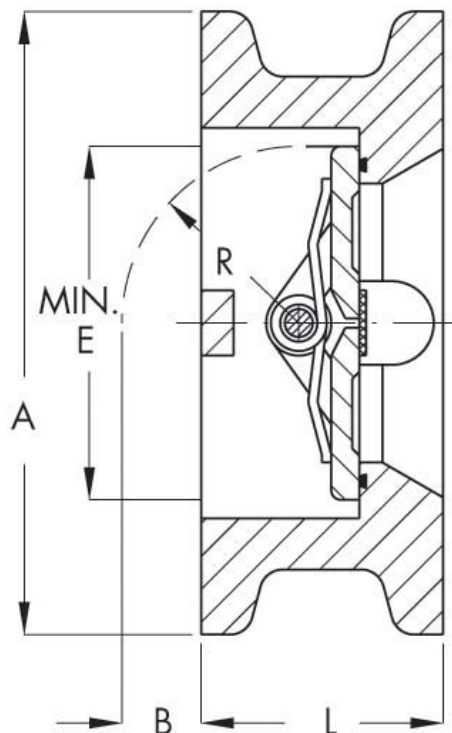
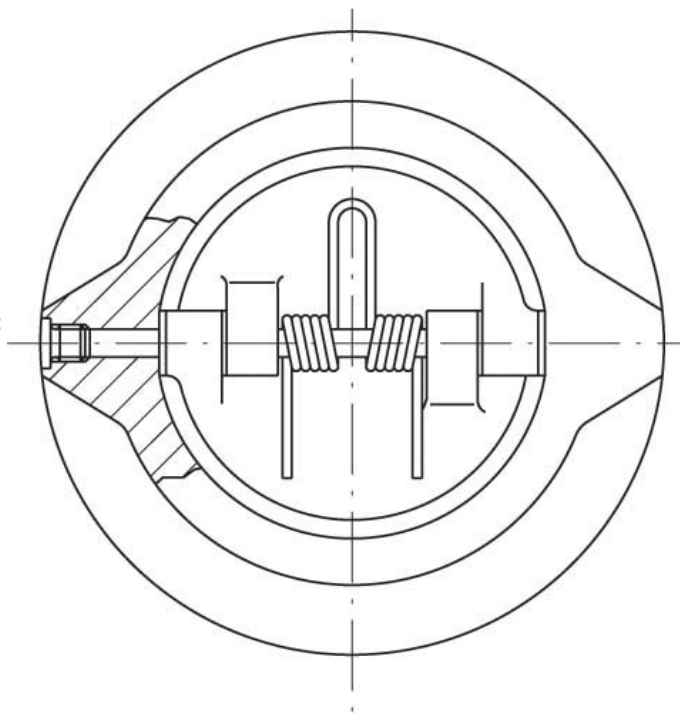
Purpose: water, gases, oil etc.

MEDIA

- Fuel oil, lubricating oil and flammable hydraulic oil. Cargo oil.
- Boiler feedwater, condensate. Seawater and freshwater.

VARIANTS

Other materials on request



CAST IRON BUTTERFLY CHECK VALVE SPRING RETURN DIN PN 16

Материал cast iron EN-JL1040; DIN GG25
Налягане PN 16
Размер DN-40-400

No.	Part	Material	Specifications	
1	Body	Ductile iron EN-JS1030 (GGG40)	Standart:	DIN
2	Seat	NBR	Flange standard:	EN1092-2
3	Disc	ASTM A216WCB	Execution:	Straight
4	Spring	AISI 1.4300	Connection type:	Wafer
5	Shaft	AISI 1.4301	Operation:	Check valve
			Actuation:	Spring Return
			Tmax	80 °C
Maximum media temp. [°C] at [Bars]				
			Size	100°C
			DN 40 - DN 400	16 Bar

Dn	Press.rate	Connection	A [kg]	B, [mi/h]	E	L	R	Weight	Kv
40	PN16	PN16	94	9.5	46	43	31	1.3	45
50	PN16	PN16	109	9.5	46	43	31	1,3	45
65	PN16	PN16	129	15.5	62	46	37	2,4	80
80	PN16	PN16	144	12.5	70	64	43	3.2	130
100	PN16	PN16	164	22	90	64	52	4.2	250
125	PN16	PN16	194	34	110	70	66	7	515
150	PN16	PN16	220	36.5	130	76	71	9	795
200	PN16	PN16	275	60	195	89	101	15	1460
250	PN16	PN16	330	73	245	114	126	27	2590
300	PN16	PN16	380	98	292	114	151	34	3500
350	PN16	PN16	440	110	340	127	172	53	4650
400	PN16	PN16	491	130	380	140	196	68	6300