

CAST IRON CHECK VALVE DIN PN 16 model 360 Sealing - metal / metal

Материал cast iron EN GJL-250; DIN GG25
 Налягане PN 16
 Размер DN 40 - 300

TECHNICAL DESCRIPTION

Swing check valve with metal to metal disc sealing, flanged connection and bolted cover - MODEL 360.
 Also for installation in vertical pipelines. Upwards flow only.

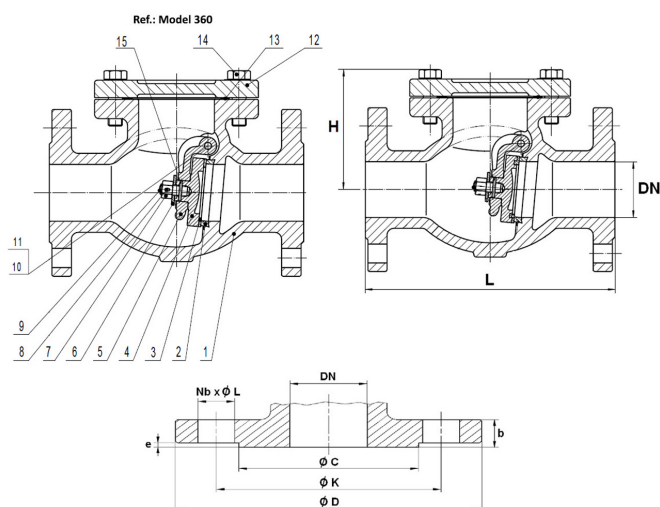
Min and max Temperature Ts : - 10°C to + 120°C for metal seat type Ref.360

WORKING FLUID / MEDIA

Heating, water distribution and watering

OPTIONS

Other materials on request



No.	Part	Material	Specification	
1	Body	Cast iron EN GJL-250 (GG25)	Standart:	DIN 3202 F1
2	Seat ring	Brass	Flange standard:	EN1092-2
3	Disc Ring	Brass	Face to face standard:	EN558, Series 1
4	Disc	Cast iron EN GJL-250 (GG25)	Bonnet connection:	Bolted
5	Hanger	Ductile iron EN-GJS-400-15	Execution:	Straight
6	Washer	Steel	Connection type:	Flanged
7	Nut	Steel	Operation:	Non-return valve
8	Split pin	AISI 304	Actuation:	Self Return
9	Disc screw	Steel	Tmax	120 °C
10	Hexagon plug	Brass		
11	Hanger pin	AISI 304		
12	Bonnet	Cast iron EN GJL-250 (GG25)		
13	Bonnet gasket	Graphite		
14	Bonnet screw	Steel		
15	Pin	AISI 304		

Dn	Pressure rating	Connection	L	H	øc	ød	øk	Nb x ø l	B	E	Weight (kg)
40	PN 16	PN 16	180	109	84	150	110	4 x 19	18	3	8.5
50	PN 16	PN 16	200	112	99	165	125	4 x 19	20	3	11.2

**CAST IRON CHECK VALVE DIN PN 16 model
360 Sealing - metal / metal**

Материал cast iron EN GJL-250; DIN GG25

Налягане PN 16

Размер DN 40 - 300

Dn	Pressure rating	Connection	L	H	øc	ød	øk	Nb x ø l	B	E	Weight (kg)
65	PN 16	PN 16	240	132	118	185	145	4 x 19	20	3	15.5
80	PN 16	PN 16	260	141	132	200	160	8 x 19	22	3	19
100	PN 16	PN 16	300	162	156	220	180	8 x 19	24	3	28.5
125	PN 16	PN 16	350	192	184	250	210	8 x 19	26	3	42.2
150	PN 16	PN 16	400	211	211	285	240	8 x 23	26	3	57
200	PN 16	PN 16	500	270	266	340	295	12 x 23	30	3	93
250	PN 16	PN 16	600	316	319	405	355	12 x 28	32	3	159
300	PN 16	PN 16	700	357	370	460	410	12 x 28	32	4	215