

CAST IRON GLOBE VALVE ANGLE DIN 3202 F32, PN 10

Материал cast iron EN-JL1040; DIN GG25
 Налягане PN 10
 Размер DN 15 - 300

DESCRIPTIONS

Globe valve angle type, flanged connection with shut off, regulating or screw down non return (SDNR) function. Metal sealing. Rising stem type.

MEDIA

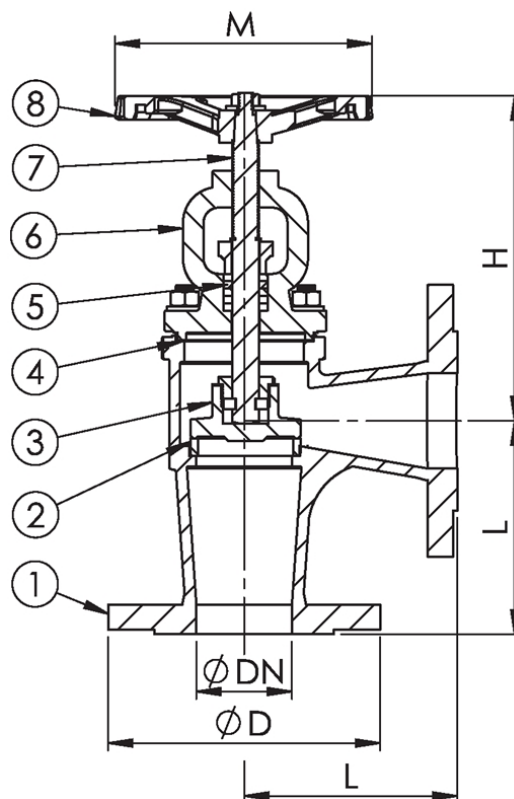
- Fuel oil, lubricating oil and flammable hydraulic oil. Cargo oil.
- Seawater and freshwater.

VARIANTS

- Regulating disc.
- Stainless steel trim.

OPTIONS

Spring for SDNR; PN6; PN10



No.	Part	Material
1	Body	Cast iron EN-JL1040 (GG25)
2	Seat	Stainless steel 1.4301
3	Disc	Cast iron EN-JL1040 (GG25)/St.Steel 1.4301
4	Gasket	Graphite
5	Gland packing	Graphite
6	Bonnet gasket	Cast iron EN-JL1040 (GG25)
7	Stem	PTFE
8	Handweel	Cast iron EN-JL1040 (GG25)

Specifications	
Standart:	DIN 3202 F32
Flange standard:	EN1092-2
Face to face standard:	EN558, Series 1
Bonnet connection:	Bolted
Execution:	Angle
Connection type:	Flanged
Operation:	Handwheel
Actuation:	Multiturn
Tmax	120 °C

Dn	Pressure rating	Connection	L	D	P	N x d	H	M	Weight (kg)
15	10	10	90	95	65	4 x 14	173	120	4
20	10	10	95	105	75	4 x 14	173	120	4,5
25	10	10	100	115	85	4 x 14	190	120	5,2
32	10	10	105	140	100	4 x 18	190	120	6,7

**CAST IRON GLOBE VALVE ANGLE DIN 3202
F32, PN 10**

Материал cast iron EN-JL1040; DIN GG25

Налягане PN 10

Размер DN 15 - 300

Dn	Pressure rating	Connection	L	D	P	N x d	H	M	Weight (kg)
40	10	10	115	150	110	4 x 18	225	140	9,6
50	10	10	125	165	125	4 x 18	218	140	12
65	10	10	145	185	145	8 x 18	246	140	16
80	10	10	155	200	160	8 x 18	274	160	21
100	10	10	175	220	180	8 x 18	303	160	33
125	10	10	200	250	210	8 x 18	310	200	43
150	10	10	225	285	240	8 x 22	360	200	70
200	10	10	275	340	295	8 x 22	488	400	110
250	10	10	325	395	350	12 x 22	550	400	160
300	10	10	375	445	400	12 x 22	786	500	280