

CAST IRON GLOBE VALVE STRAIGHT DIN 3202 F1 PN 16

Материал cast iron EN-JL1040; DIN GG25
 Налягане PN 16
 Размер DN 15 - 200

DESCRIPTIONS

Globe valve straight type, flanged connection with shut off, regulating or screw down non return (SDNR) function. Metal sealing. Rising stem type.

MEDIA

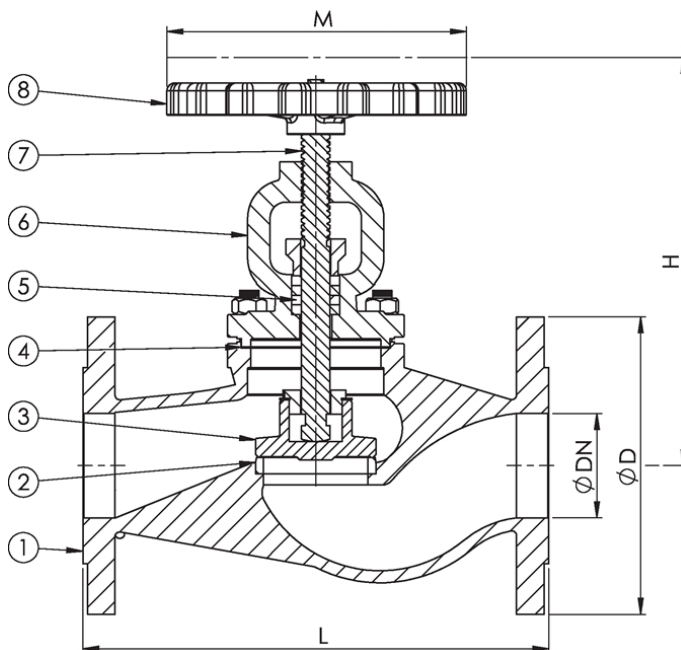
- Fuel oil, lubricating oil and flammable hydraulic oil. Cargo oil.
 - Seawater and freshwater.

VARIANTS

- Regulating disc.
 - Stainless steel trim.

OPTIONS

Spring for SDNR.



No.	Part	Material
1	Body	Cast iron EN-JL1040 (GG25)
2	Seat	Stainless steel 1.4301
3	Disc	Cast iron EN-JL1040 (GG25)/St. Steel 1.4301
4	Gasket	Graphite
5	Gland packing	Graphite
6	Bonnet gasket	Cast iron EN-JL1040 (GG25)
7	Stem	PTFE
8	Handweel	Cast iron EN-JL1040 (GG25)

Specifications	
Standart	DIN 3202 F1
Flange standard	EN1092-2
Face to face standard	EN558, Series 1
Bonnet connection	bolted
Execution	straight
Connection type	flanged
Operation	handwheel
Actuation	multiturn
Tmax	120 °C

Dn	Pressure rating	Connection	L	D	P	N x d	H	M	Weight (kg)
15	16	16	130	95	65	4 x 14	177	120	3,8
20	16	16	150	105	75	4 x 14	179	120	4,3
25	16	16	160	115	85	4 x 14	198	120	5,4
32	16	16	180	140	100	4 x 18	198	120	7,1

CAST IRON GLOBE VALVE STRAIGHT DIN 3202 F1 PN 16

Материал cast iron EN-JL1040; DIN GG25

Налягане PN 16

Размер DN 15 - 200

Dn	Pressure rating	Connection	L	D	P	N x d	H	M	Weight (kg)
40	16	16	200	150	110	4 x 18	221	140	9,8
50	16	16	230	165	125	4 x 18	224	140	13
65	16	16	290	185	145	4 x 18	267	140	17
80	16	16	310	200	160	8 x 18	292	160	25
100	16	16	350	220	180	8 x 18	325	160	35
125	16	16	400	250	210	8 x 18	370	200	50
150	16	16	480	285	240	8 x 22	420	200	10
200	16	16	600	340	295	12 x 22	560	400	134