

# CAST IRON NON-RETURN GLOBE VALVE SPRING RETURN DIN PN 16

Материал cast iron EN-JL1040; DIN GG25

Налягане PN 16

Размер DN 15 - 200

## DESCRIPTIONS

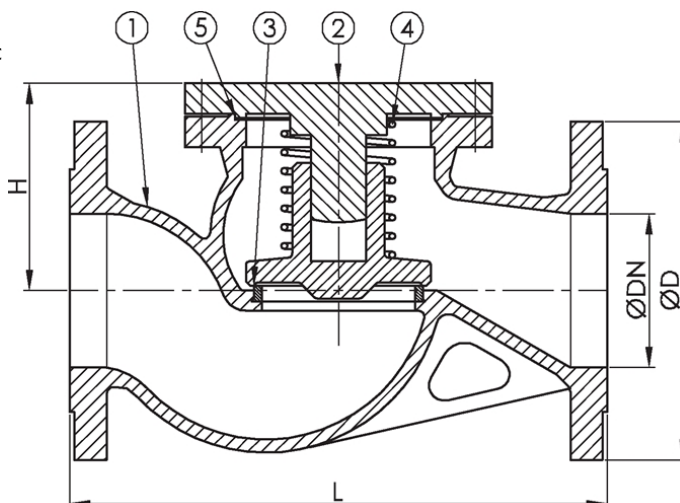
Check valve with metal sealing, flanged connection and bolted cover.

## MEDIA

- Fuel oil, lubricating oil and flammable hydraulic oil.
- Cargo oil. Boiler feedwater, condensate.
- Seawater and freshwater.

## VARIANTS

- Other materials on request



No.	Part	Material	Specifications	
1	Body	Cast iron EN-JL1040 (GG25)	Standart:	DIN 3202 F1
2	Bonnet	Cast iron EN-JL1040 (GG25)	Flange standard:	EN1092-2
3	Seat	Bronze CC491K (RG5)	Face to face standard:	EN558, Series 1
4	Spring	Stainless steel 1.4310 (AISI301)	Bonnet connection:	Bolted
5	Bonnet gasket	Graphite	Execution:	Straight
			Connection type:	Flanged
			Operation:	Non-return valve
			Actuation:	Spring Return
			Tmax: [°C]	120 °C

Max. working pressure (bar) at °c			
Dn	Connection	Up to 120°c	180°c
15 - 125	PN 16	16	10
150	PN 16	10	6
200	PN 10	10	6

# CAST IRON NON-RETURN GLOBE VALVE SPRING RETURN DIN PN 16

Материал cast iron EN-JL1040; DIN GG25

Налягане PN 16

Размер DN 15 - 200

Dn	Pressure rating	Connection	L	D	P	N x d	H	Weight (kg)
15	16	16	130	95	65	4 x 14	70	3
20	16	16	150	105	75	4 x 14	70	3,5
25	16	16	160	115	85	4 x 14	75	4
32	16	16	180	140	100	4 x 18	80	5
40	16	16	200	150	110	4 x 18	90	7
50	16	16	230	165	125	4 x 18	100	10
65	16	16	290	185	145	4 x 18	110	15
80	16	16	310	200	160	8 x 18	130	22
100	16	16	350	220	180	8 x 18	150	31
125	16	16	400	250	210	8 x 18	170	47
150	10	16	480	285	240	8 x 22	190	80
200	10	10	600	340	295	12 x 22	210	125