

## CAST IRON STRAINER TYPE "Y"

Материал cast iron EN-JL1040; DIN GG25

Налягане PN 16

Размер DN 15 - 150

### DESCRIPTION

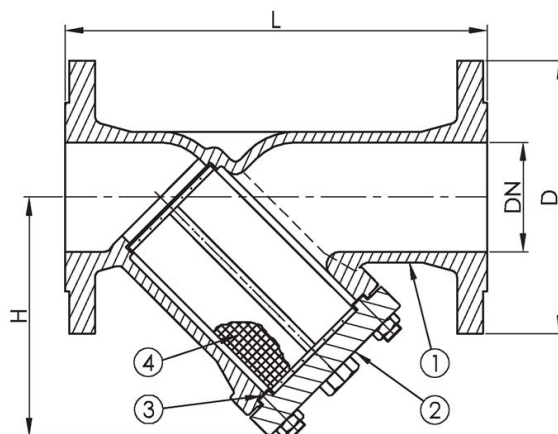
Strainers are used in systems which needs to be protected against debris during pipe installation or regular operation. Y-type strainer. DN 40-300 with drain plug. It is possible to get internal strainer basket with different mesh size.

### MEDIA

- Fuel oil, lubricating oil and flammable hydraulic oil. Cargo oil. Non-flammable hydraulic fluid. Boiler feedwater, condensate.  
- Seawater and freshwater.

### VARIANTS

Other body materials on request. Other mesh sizes on request.



No.	Part	Material
1	Body	Cast iron EN-JL1040 (GG25)
2	Cover	Cast iron EN-JL1040 (GG25)
3	Gasket	Graphite
4	Strainer	Stainless steel 1.4301 (AISI304)

Specifications	
Standart:	DIN
Execution:	Straight
Bonnet:	Bolted
Connection type:	Flanged EN1092-1
Face to face:	EN 558, Series 1
Actuation:	No actuation
Tmax	120 °C
Perforation:	Dia. 1 mm

Dn	Pressure rating	Connection	L	D	H	Weight (kg)
15	16	PN 16	130	95	75	3

## CAST IRON STRAINER TYPE "Y"

Материал cast iron EN-JL1040; DIN GG25

Налягане PN 16

Размер DN 15 - 150

Dn	Pressure rating	Connection	L	D	H	Weight (kg)
20	16	PN 16	150	105	75	3.5
25	16	PN 16	160	115	90	4.5
32	16	PN 16	180	140	90	5.5
40	16	PN 16	200	150	110	8
50	16	PN 16	230	165	120	9.5
65	16	PN 16	290	185	140	15
80	16	PN 16	310	200	170	21
100	16	PN 16	350	220	220	27
125	16	PN 16	400	250	260	49
150	16	PN 16	480	285	300	76