

CAST STEEL BALL VALVE FLANGED 3 PARTS • DIN PN 16

Материал steel 1.0619; DIN GS-C25

Налягане PN 16

Размер DN 15 - 100

DESCRIPTIONS

Ball valve is mainly used as shut off in liquid systems where it is a need for high flow.

Quarterturn operation. Full bore. Three piece bolted. Top flange according to ISO 5211. Anti-static stem.

MEDIA

- Corrosive fluids. Fuel oil, lubricating oil and flammable hydraulic oil. Cargo oil. Air. Gas. Non-flammable hydraulic fluid.

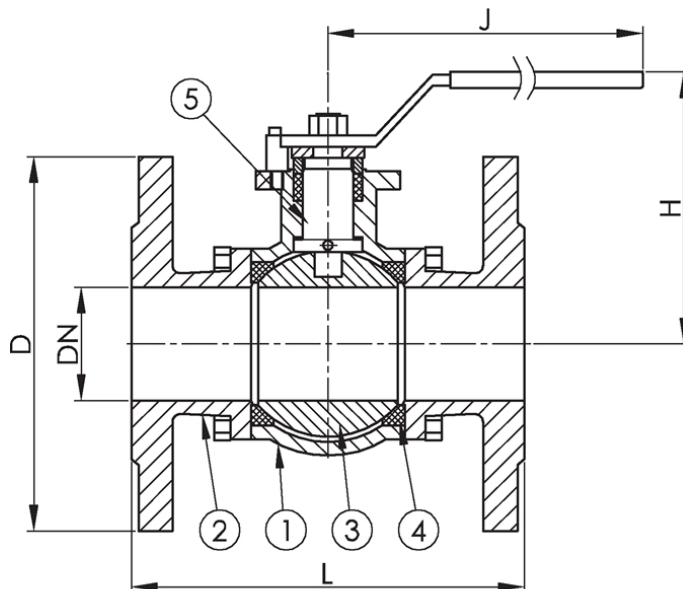
- Boiler feedwater, condensate. Seawater and freshwater.

VARIANTS

Other materials on request.

OPTIONS

Relief hole on ball



No.	Part	Material	Specifications	
1	Body	Carbon steel 1.0619; DIN GS-C25;	Standart:	DIN 3202 F1
2	Cap	Stainless steel 1.4408 (AISI316)	Flange standard:	EN1092-2
3	Ball	Stainless steel 1.4408 (AISI316)	Face to face standard:	EN558, Series 1
4	Seat	PTFE	Execution:	Straight
5	Stem	Stainless steel 1.4408 (AISI316)	Connection type:	Flanged
			Operation:	Lever
			Actuation:	quarterturn
			Tmax	120 °C

Dn	Pressure rating	Connection	L	D	P	N x d	H	J	Weight (kg)
15	16	16	130	95	65	4 x 14	78	138	2,2
20	16	16	150	105	75	4 x 14	84	138	2,9
25	16	16	160	115	85	4 x 14	89	168	3,7
32	16	16	180	140	100	4 x 18	97	168	5,6
40	16	16	200	150	110	4 x 18	114	230	7,3

CAST STEEL BALL VALVE FLANGED 3 PARTS • DIN PN 16

Материал steel 1.0619; DIN GS-C25

Налягане PN 16

Размер DN 15 - 100

Dn	Pressure rating	Connection	L	D	P	N x d	H	J	Weight (kg)
50	16	16	230	165	125	4 x 18	121	230	9,3
65	16	16	290	185	145	4 x 18	178	290	16
80	16	16	310	200	160	8 x 18	185	290	21
100	16	16	350	220	180	8 x 18	183	285	36