

CAST STEEL BALL VALVE FLANGED 3 PARTS • DIN PN 40

Материал steel 1.0619; DIN GS-C25
 Налягане PN 40
 Размер DN 15 - 100

DESCRIPTIONS

Ball valve is mainly used as shut off in liquid systems where it is a need for high flow. Quarterturn operation. Full bore. Three piece bolted. Top flange according to ISO 5211. Anti-static stem.

MEDIA

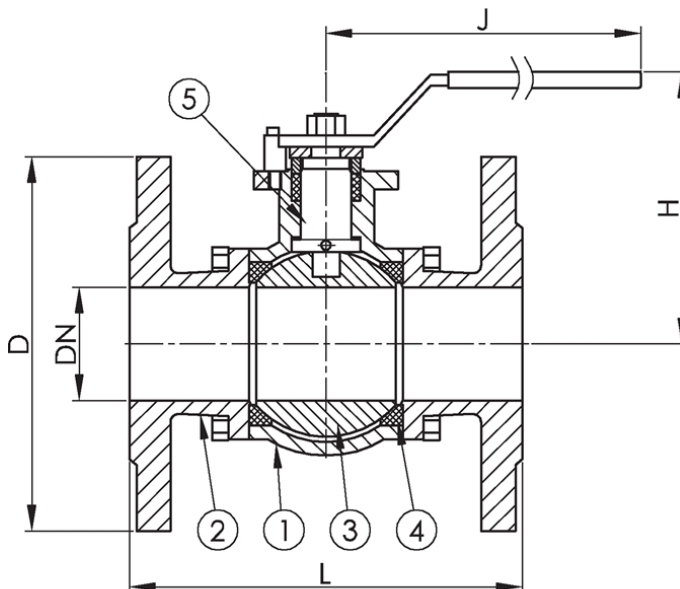
- Corrosive fluids. Fuel oil, lubricating oil and flammable hydraulic oil. Cargo oil. Air. Gas. Non-flammable hydraulic fluid.
 - Boiler feedwater, condensate. Seawater and freshwater.

VARIANTS

Other materials on request.

OPTIONS

Relief hole on ball



No.	Part	Material
1	Body	Carbon steel 1.0619; DIN GS-C25;
2	Cap	Stainless steel 1.4408 (AISI316)
3	Ball	Stainless steel 1.4408 (AISI316)
4	Seat	PTFE
5	Stem	Stainless steel 1.4408 (AISI316)

Specifications	
Standart:	DIN 3202 F1
Flange standard:	EN1092-2
Face to face standard:	EN558, Series 1
Execution:	Straight
Connection type:	Flanged
Operation:	Lever
Actuation:	quarterturn
Tmax	120 °C

Dn	Pressure rating	Connection	L	D	P	N x d	H	J	Weight (kg)
15	40	40	130	95	65	4 x 14	78	138	2,2
20	40	40	150	105	75	4 x 14	84	138	2,9
25	40	40	160	115	85	4 x 14	89	168	3,7
32	40	40	180	140	100	4 x 18	97	168	5,6
40	40	40	200	150	110	4 x 18	114	230	7,3

CAST STEEL BALL VALVE FLANGED 3 PARTS • DIN PN 40

Материал steel 1.0619; DIN GS-C25

Налягане PN 40

Размер DN 15 - 100

Dn	Pressure rating	Connection	L	D	P	N x d	H	J	Weight (kg)
50	40	40	230	165	125	4 x 18	121	230	9,3
65	40	40	290	185	145	4 x 18	178	290	16
80	40	40	310	200	160	8 x 18	185	290	21
100	40	40	350	220	180	8 x 18	183	285	36