

CAST STEEL STRAINER TYPE "Y" PN 25

Материал cast steel 1.0619; DIN GS-C25

Налягане PN 25

Размер DN 200 - 300

DESCRIPTIONS

Strainers are used in systems which needs to be protected against debris during pipe installation or regular operation. Y-type strainer. DN 40-300 with drain plug. It is possible to get the strainer basket with different mesh size.

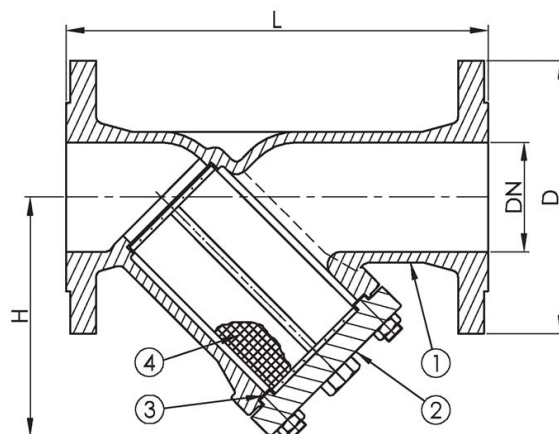
MEDIA

- Steam. Thermal oil. Fuel oil, lubricating oil and flammable hydraulic oil. Cargo oil. Air. Gas. Non-flammable hydraulic fluid.

- Boiler feedwater, condensate. Seawater and freshwater.

VARIANTS

Other body materials on request. Other mesh sizes on request.



No.	Part	Material
1	Body	Cast steel 1.0619 (WCB)
2	Cover	Cast steel 1.0619 (WCB)
3	Gasket	Graphite
4	Strainer	Stainless steel 1.4301 (AISI304)

Specifications	
Standart:	DIN
Execution:	Straight
Bonnet:	Bolted
Connection type:	Flanged EN1092-1
Face to face:	EN 558, Series 1
Actuation:	No actuation
Tmax	200 °C
Perforation:	Dia. 1 mm

Dn	Pressure rating	Connection	L	D	H	Weight (kg)
200	25	PN 25	600	360	360	135

CAST STEEL STRAINER TYPE "Y" PN 25

Материал cast steel 1.0619; DIN GS-C25

Налягане PN 25

Размер DN 200 - 300

Dn	Pressure rating	Connection	L	D	H	Weight (kg)
250	25	PN 25	730	425	440	192
300	25	PN 25	850	485	525	274