

DIAPHRAGMA VALVE CAST IRON FLANGED DIN

Материал cast iron EN-JL1040; DIN GG25

Налягане PN 10-16

Размер DN 15 - 200

DESCRIPTION

Diaphragm valve, flanged connection is often used for freshwater, seawater and compressed air applications. Multiturn operation. Round handwheel only for DN 65 and larger sizes, smaller sizes delivered with grab handle. Flange connection.

MEDIA

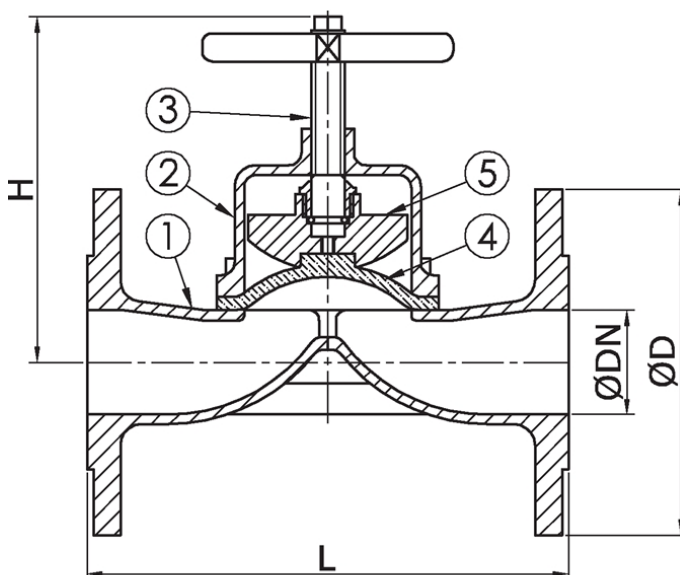
- Corrosive fluids. Fuel oil, lubricating oil and flammable hydraulic oil. Cargo oil. Air. Gas. Non-flammable hydraulic fluid.
- Boiler feedwater, condensate. Seawater and freshwater.

VARIANTS

- Smaller dimensions on request. Other materials, coatings and linings on request.

OPTIONS

- Female thread connection 1/2" ÷ 2" BSPP



No.	Part	Material
1	Body	Cast iron EN-JL1040 (GG25)
2	Seat	Stainless steel 1.4301
3	Disc	Cast iron EN-JL1040 (GG25)/St.Steel 1.4301
4	Gasket	Graphite
5	Gland packing	Graphite
6	Bonnet gasket	Cast iron EN-JL1040 (GG25)
7	Stem	PTFE
8	Handweel	Cast iron EN-JL1040 (GG25)

Specifications	
Standart:	DIN 3202 F32
Flange standard:	EN1092-2
Face to face standard:	EN558, Series 1
Bonnet connection:	Bolted
Execution:	Straight
Connection type:	Flanged
Operation:	Handwheel
Actuation:	Multiturn
Tmax	120 0C

Dn	Pressure rating	Connection	L	D	P	N x d	H	Weight (kg)
15	16	16	130	95	65	4 x 14	90	2,5
20	16	16	150	105	75	4 x 14	100	3
25	16	16	160	115	85	4 x 14	115	4
32	16	16	180	140	100	4 x 18	140	6,4

DIAPHRAGMA VALVE CAST IRON FLANGED DIN

Материал cast iron EN-JL1040; DIN GG25

Налягане PN 10-16

Размер DN 15 - 200

Dn	Pressure rating	Connection	L	D	P	N x d	H	Weight (kg)
40	16	16	200	150	110	4 x 18	158	7,6
50	16	16	230	165	125	4 x 18	174	10
65	10	10	290	185	145	8 x 18	210	17
80	10	10	310	200	160	8 x 18	240	23
100	10	10	350	220	180	8 x 18	295	32
125	10	10	400	250	210	8 x 18	385	50
150	10	10	480	285	240	8 x 22	425	74
200	10	10	600	340	295	8 x 22	497	174