

DISC TYPE STAINLESS STEEL CHECK VALVE WITH SPRING DIN 3202 K4

Материал stainless steel 1.4408; AISI 316

Налягане PN 40

Размер DN 15 - 100

DESCRIPTION

Check valve, wafer type, is used in liquid or compressed air systems to allow the media to only flow in one direction.

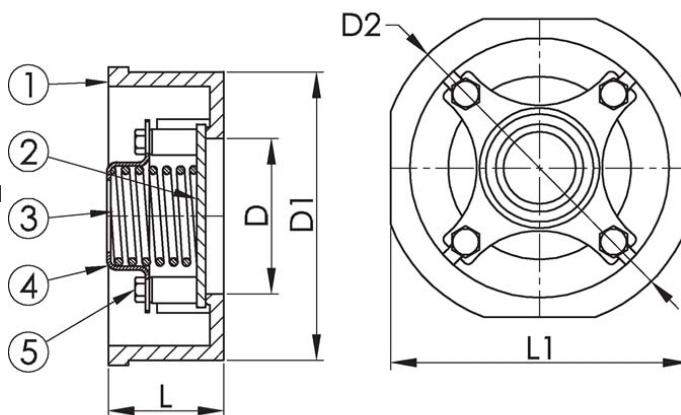
MEDIA

- Steam. Thermal oil. Fuel oil, lubricating oil and flammable hydraulic oil. Cargo oil. Air. Gas. Non-flammable hydraulic fluid.

- Boiler feedwater, condensate. Seawater and freshwater.

VARIANTS

Other materials on request



No.	Part	Material	Specifications	
1	Body	Stainless steel 1.4408 (AISI316)	Standart:	DIN
2	Disc	Stainless steel 1.4408 (AISI316)	Flange standard:	EN1092-2
3	Spring	Stainless steel 1.4408 (AISI316)	Execution:	Straight
4	Cap	Stainless steel 1.4408 (AISI316)	Connection type:	Wafer
5	Screw	Stainless steel 1.4301 (AISI304)	Operation:	Non-return valve
			Actuation:	Spring Return
			Tmax	200 °C

D	Pressure rating	L	D1	D2	L1	Weight (kg)
15	40	16	45	53	45	0,1
20	40	19	55	63	55	0,2
25	40	22	65	73	65	0,3
32	40	28	79	84	79	0,5
40	40	32	89	94	89	0,7
50	40	40	99	107	99	1,1
65	40	46	118	126	118	1,6
80	40	50	134	144	134	1,8
100	40	60	154	164	154	3,3