

FIRE FIGHTING VALVE ANGLE BRONZE DIN WITH "STORZ" CONNECTION, PN 16

Материал bronze CC491K; DIN RG5

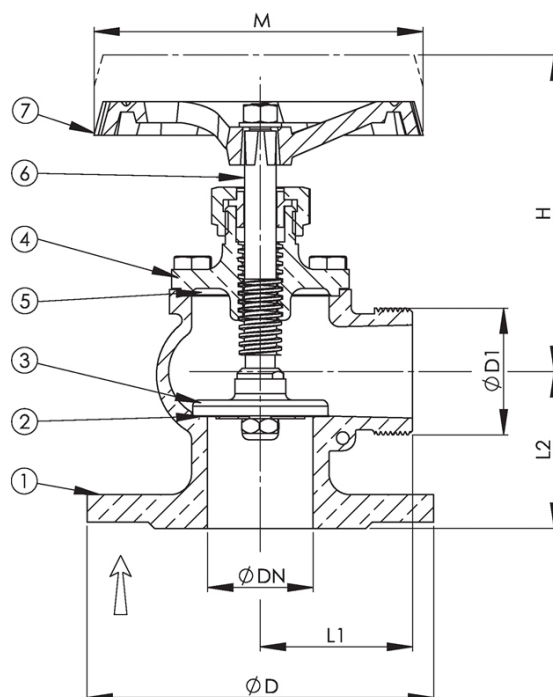
Налягане PN 16

Размер DN-40-65

Media
Sea water and fresh water

APPLICATION

For fire fighting systems. Max. temperature 80°C.



No.	Part	Material
1	Body	Bronze CC491K (RG5)
2	Disc ring	NBR
3	Disc	Special brass CW710R (SoMs59)
4	Bonnet	Bronze CC491K (RG5)
5	Gasket	NBR bonded aramid
6	Stem	Special brass CW710R (SoMs59)
7	Handwheel	Bronze CC491K (RG5)

Specifications	
Standart:	DIN
Execution:	Angle
Connection type:	Flanged
Operation:	Manual / Handwheel
Actuation:	Multiturn
Tmax:	NBR seat max 80°C / EPDM seat 110°C

**FIRE FIGHTING VALVE ANGLE BRONZE DIN
WITH "STORZ" CONNECTION, PN 16**

Материал bronze CC491K; DIN RG5

Налягане PN 16

Размер DN-40-65

Dn	Pressure rating	Connection	D	D1	L1	L2	H	M	Weight (kg)
40	16	PN 16	150	G 1 1/2"	65	70	150	140	4.3
50	16	PN 16	165	G 2"	73	75	150	140	5.3
65	16	PN 16	185	G 2 1/2"	95	90	165	160	9.5